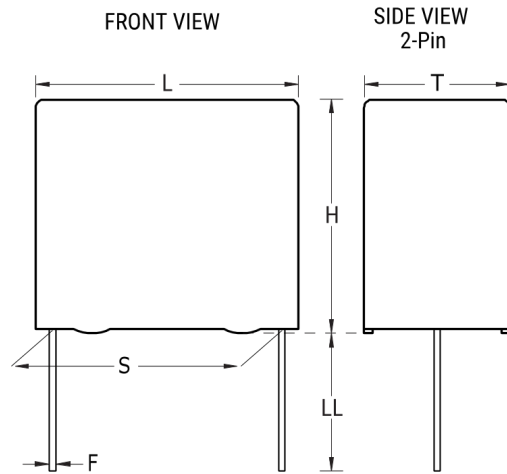


## F5ABC4180Z3E7K

Aliases (5ABC4180Z3E7K)

F5A, Film, Metallized Polyester, Varistor/Capacitor, 1.8 uF, 10%, 18 VDC, 100°C, 5mm



Click [here](#) for the 3D model.

### Dimensions

L	7.5mm MAX
H	11.1mm MAX
T	6.1mm MAX
S	5mm +/-0.4mm
LL	17mm +1/-2mm
F	0.6mm +/-0.05mm

### Packaging Specifications

Packaging	Bulk, Bag
Packaging Quantity	1000

### General Information

Series	F5A
Dielectric	Metallized Polyester
Style	Radial
Features	EMI-RFI suppressors for DC motors
RoHS	Yes
Termination	Tinned Wire
Lead	Wire Leads
Qualifications	AEC-Q200
AEC-Q200	Yes
Miscellaneous	The Rated Voltage Decreases 2%/C Between +100C And +125C. Varistor= 27 VDC.

### Specifications

Capacitance	1.8 uF
Capacitance Tolerance	10%
Voltage DC	18 VDC, 9 VDC (125C)
Temperature Range	-55/+125°C
Rated Temperature	100°C
Dissipation Factor	1% 1kHz