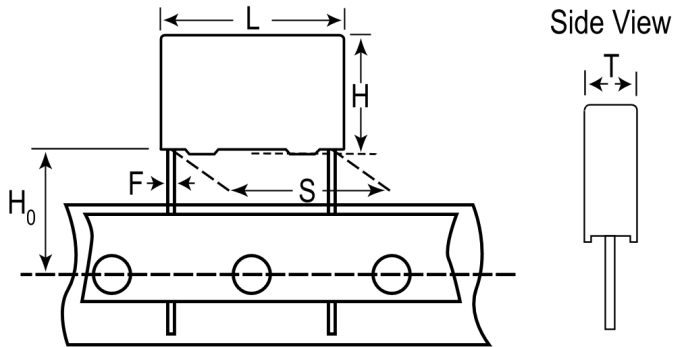


F5ADF4150DQC3K

Aliases (5ADF4150DQC3K)

Not for New Design

F5A, Film, Metallized Polyester, Varistor/Capacitor, 1.5 uF, 10%, 63 VDC, 100°C, 10mm



Click [here](#) for the 3D model.

Dimensions

L	13.4mm MAX
H	12.1mm MAX
T	6.2mm MAX
S	10mm +0.6/-0.1mm
H0	18.5mm +/-0.5mm
F	0.75mm +/-0.05mm

Packaging Specifications

Packaging	Ammo, 360x340x59mm, Box
Packaging Quantity	680

General Information

Series	F5A
Dielectric	Metallized Polyester
Style	Radial
Features	EMI-RFI suppressors for DC motors
RoHS	Yes
Termination	Tinned Wire
Lead	Wire Leads
Qualifications	AEC-Q200
AEC-Q200	Yes
Miscellaneous	The Rated Voltage Decreases 2%/C Between +100C And +125C. Varistor= 68 VDC.

Specifications

Capacitance	1.5 uF
Capacitance Tolerance	10%
Voltage DC	63 VDC, 32 VDC (125C)
Temperature Range	-55/+125°C
Rated Temperature	100°C
Dissipation Factor	1% 1kHz