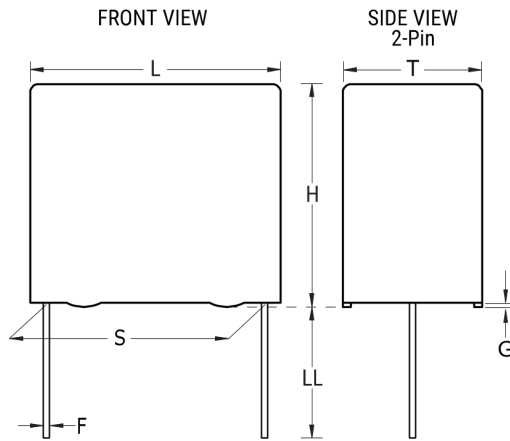


F5DDF3470AAD2M

Aliases (5DDF3470AAD2M)

F5D, Film, Metallized Polyester, Capacitor/Capacitor, 0.47 uF, 20%, 63 VDC, 100°C, 10mm



Click [here](#) for the 3D model.

Dimensions

L	13.35mm MAX
H	11.1mm MAX
T	5.2mm MAX
S	10mm +/-0.4mm
LL	4mm +2mm
F	0.75mm +/-0.05mm
G	0.5mm NOM

Packaging Specifications

Packaging	Bulk, Bag
Packaging Quantity	1300

General Information

Series	F5D
Dielectric	Metallized Polyester
Style	Radial
Features	EMI-RFI suppressors for DC motors
RoHS	Yes
Termination	Tinned Wire
Lead	Wire Leads
Qualifications	AEC-Q200
AEC-Q200	Yes
Miscellaneous	The Rated Voltage Decreases 2%/C Between +100C And +125C. CeramicCapValue= 0.01 uF.

Specifications

Capacitance	0.47 uF
Capacitance Tolerance	20%
Voltage DC	63 VDC, 32 VDC (125C)
Temperature Range	-55/+125°C
Rated Temperature	100°C
Dissipation Factor	2.5% 1kHz