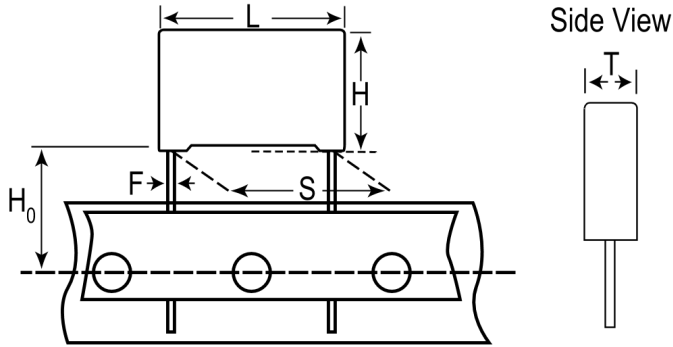


R60MF2470GY30M

Aliases (60MF2470GY30M)

Obsolete

R60, Film, Metallized Polyester, Automotive Grade, 0.047 uF, 20%, 400 VDC, 85°C, 10mm



Click [here](#) for the 3D model.

Dimensions

| | |
|----|-----------------|
| L | 13mm +0.2mm |
| H | 9mm +0.1mm |
| T | 4mm +0.2mm |
| S | 10mm +/-0.4mm |
| H0 | 18.5mm +/-0.5mm |
| F | 0.6mm +/-0.05mm |

Packaging Specifications

| | |
|--------------------|------------|
| Packaging | T&R, 355mm |
| Packaging Quantity | 750 |

General Information

| | |
|----------------|---|
| Series | R60 |
| Dielectric | Metallized Polyester |
| Style | Radial |
| Features | Automotive Grade, Pulse |
| RoHS | Yes |
| Termination | Tinned Wire |
| Lead | Wire Leads |
| Qualifications | AEC-Q200 |
| AEC-Q200 | Yes |
| Miscellaneous | Upper Operating Temperature Of 125C Is Allowed For A Maximum Operating Time Of 1,000 Hours. Above 85C, DC And AC Voltage Derating Is 1.25%/C. |

Specifications

| | |
|-----------------------|---------------------|
| Capacitance | 0.047 uF |
| Capacitance Tolerance | 20% |
| Voltage DC | 400 VDC |
| Voltage AC | 200 VAC |
| Temperature Range | -55/+105°C |
| Rated Temperature | 85°C |
| Dissipation Factor | 1% 1kHz, 1.5% 10kHz |
| Insulation Resistance | 30 GOhms |
| Max dV/dt | 30 V/us |
| Inductance | 9 nH |

Statements of suitability for certain applications are based on our knowledge of typical operating conditions for such applications, but are not intended to constitute - and we specifically disclaim - any warranty concerning suitability for a specific customer application or use. This information is intended for use only by customers who have the requisite experience and capability to determine the correct products for their application. Any technical advice inferred from this information or otherwise provided by us with reference to the use of our products is given gratis, and we assume no obligation or liability for the advice given or results obtained.