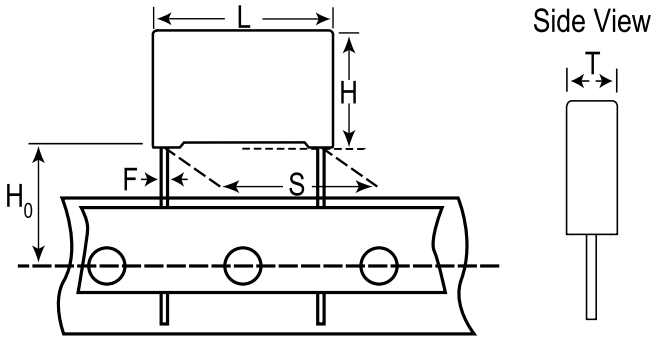


R60MF2680GY30M

Aliases (60MF2680GY30M)

Obsolete

R60, Film, Metallized Polyester, Automotive Grade, 0.068 uF, 20%, 400 VDC, 85°C, 10mm



Click [here](#) for the 3D model.

General Information

Series	R60
Dielectric	Metallized Polyester
Style	Radial
Features	Automotive Grade, Pulse
RoHS	Yes
Termination	Tinned Wire
Lead	Wire Leads
Qualifications	AEC-Q200
AEC-Q200	Yes
Miscellaneous	Upper Operating Temperature Of 125C Is Allowed For A Maximum Operating Time Of 1,000 Hours. Above 85C, DC And AC Voltage Derating Is 1.25%/C.

Dimensions

L	13mm +0.2mm
H	11mm +0.1mm
T	5mm +0.2mm
S	10mm +/-0.4mm
H0	18.5mm +/-0.5mm
F	0.6mm +/-0.05mm

Packaging Specifications

Packaging	T&R, 355mm
Packaging Quantity	600

Specifications

Capacitance	0.068 uF
Capacitance Tolerance	20%
Voltage DC	400 VDC
Voltage AC	200 VAC
Temperature Range	-55/+105°C
Rated Temperature	85°C
Dissipation Factor	1% 1kHz, 1.5% 10kHz
Insulation Resistance	30 GOhms
Max dV/dt	30 V/us
Inductance	9 nH

Statements of suitability for certain applications are based on our knowledge of typical operating conditions for such applications, but are not intended to constitute - and we specifically disclaim - any warranty concerning suitability for a specific customer application or use. This Information is intended for use only by customers who have the requisite experience and capability to determine the correct products for their application. Any technical advice inferred from this Information or otherwise provided by us with reference to the use of our products is given gratis, and we assume no obligation or liability for the advice given or results obtained.