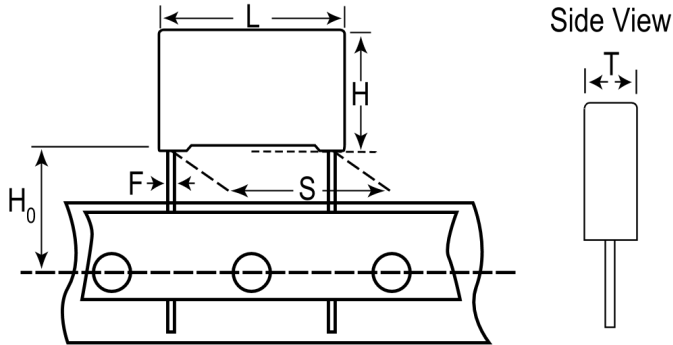


R71PN3220GY00K

Aliases (71PN3220GY00K)

R71, Film, Metallized Polypropylene, General Purpose, 0.22 uF, 10%, 630 VDC, 105°C, 22.5mm



Click [here](#) for the 3D model.

Dimensions

L	26.5mm +0.3/-0.5mm
H	15mm +0.1/-0.5mm
T	6mm +0.2/-0.5mm
S	22.5mm +/-0.4mm
H0	18.5mm +/-0.5mm
F	0.8mm +/-0.05mm

Packaging Specifications

Packaging

T&R

General Information

Series	R71
Dielectric	Metallized Polypropylene
Style	Radial
Features	PFC and Pulse
RoHS	Yes
Termination	Tinned Wire
Lead	Wire Leads
AEC-Q200	No
Miscellaneous	Above 105C DC And AC Voltage Derating Is 4%/C.

Specifications

Capacitance	0.22 uF
Capacitance Tolerance	10%
Voltage DC	630 VDC
Voltage AC	275 VAC
Temperature Range	-40/+110°C
Rated Temperature	105°C
Dissipation Factor	0.1% 25C
Insulation Resistance	100 GOhms
Max dV/dt	160 V/us
ESR	325.5 mOhms (100kHz)
Ripple Current	0.86 Amps (100kHz 85C), 35.2 Amps (Peak)
Inductance	18 nH