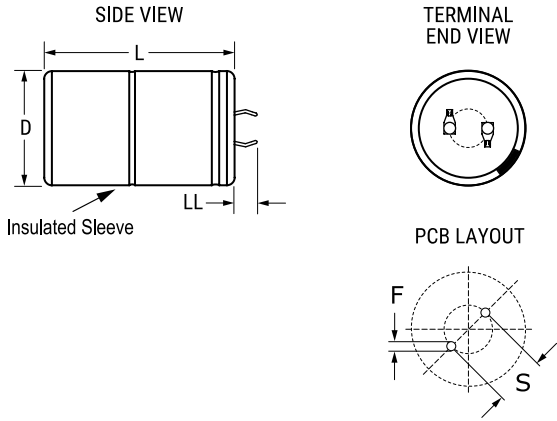


ALA7DA511DF500

ALA7D, Aluminum, Aluminum Electrolytic, 510 uF, 20%, 500 VDC, -40/+85°C



Click [here](#) for the 3D model.

General Information

Series	ALA7D
Dielectric	Aluminum Electrolytic
Style	Snap-In
Description	Snap-In, Aluminum Electrolytic
RoHS	Yes
Lead	2 Pin
Qualifications	AEC-Q200
AEC-Q200	Yes
Halogen Free	true
Typical Component Weight	80 g
Miscellaneous	Vibration: <= 35mm 1.5mm displacement amplitude or 20G maximum acceleration. Vibration applied for three directions of 4-hour sessions at 10 – 2,000 Hz. (Capacitor clamped by body).
Shelf Life	156 Weeks

Dimensions

D	35mm +1mm
L	50mm +/-2mm
S	10mm +/-0.1mm
LL	6.3mm +/-1mm
F	2mm +/-0.1mm

Packaging Specifications

Packaging	Tray
Packaging Quantity	100

Specifications

Capacitance	510 uF
Capacitance Tolerance	20%
Voltage DC	500 VDC, 550 VDC (Surge)
Temperature Range	-40/+85°C
Rated Temperature	85°C
Life	15000 Hrs (Rated Voltage And Ripple Current At 85C), 24000 Hrs (Rated Voltage at 85C)
ESR	489.8 mOhms (100Hz 20C), 371.2 mOhms (10kHz 20C)
Ripple Current	2.55 Amps (100Hz 85C), 4.81 Amps (10kHz 85C)
Leakage Current	1530 uA (5min 20°C)

Statements of suitability for certain applications are based on our knowledge of typical operating conditions for such applications, but are not intended to constitute - and we specifically disclaim - any warranty concerning suitability for a specific customer application or use. This Information is intended for use only by customers who have the requisite experience and capability to determine the correct products for their application. Any technical advice inferred from this Information or otherwise provided by us with reference to the use of our products is given gratis, and we assume no obligation or liability for the advice given or results obtained.