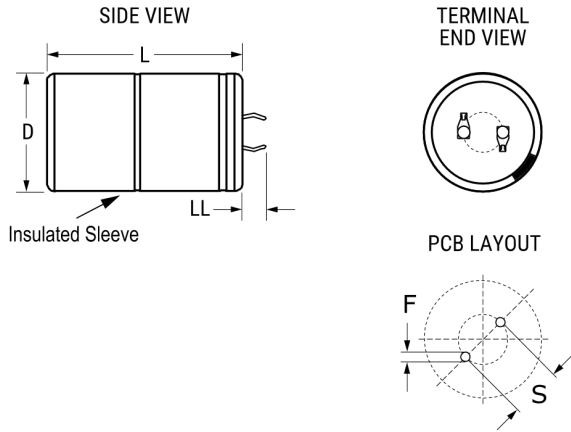


## ALA8DA241CD500

Aliases (A543DF241M500A)

ALA8D, Aluminum Electrolytic, 240 uF, 20%, 500 VDC, -40/+105°C



Click [here](#) for the 3D model.

### Dimensions

D	30mm +1mm
L	40mm +/-2mm
S	10mm +/-0.1mm
LL	6.3mm +/-1mm
F	2mm +/-0.1mm

### Packaging Specifications

Packaging	Tray
-----------	------

### General Information

Series	ALA8D
Dielectric	Aluminum Electrolytic
Description	Snap-In, Aluminum Electrolytic
RoHS	Yes
Lead	2 Pin
Qualifications	AEC-Q200
AEC-Q200	Yes
Halogen Free	Yes
Typical Component Weight	50 g
Miscellaneous	Vibration: <= 35mm 1.5mm displacement amplitude or 20G maximum acceleration. Vibration applied for three directions of 4-hour sessions at 10 – 2,000 Hz. (Capacitor clamped by body.)
Shelf Life	156 Weeks

### Specifications

Capacitance	240 uF
Capacitance Tolerance	20%
Voltage DC	500 VDC, 550 VDC (Surge)
Temperature Range	-40/+105°C
Rated Temperature	105°C
Life	7000 Hrs (Rated Voltage And Ripple Current At 105C), 11000 Hrs (Rated Voltage At 105C)
ESR	859.2 mOhms (100Hz 20C), 633.2 mOhms (10kHz 20C)
Ripple Current	1.75 Amps (100Hz 105C), 4.18 Amps (10kHz 105C)
Leakage Current	360 uA (5min 20°C)