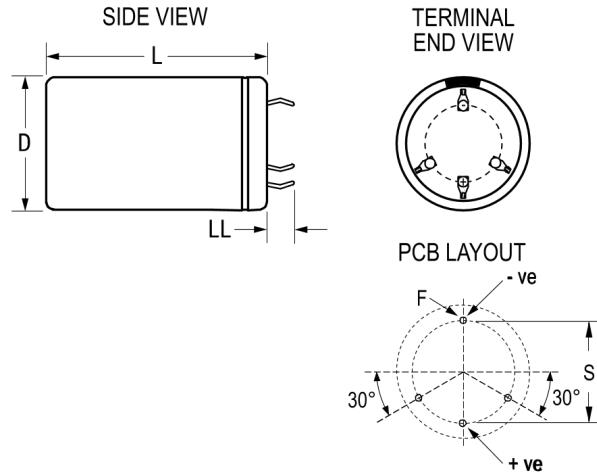


## ALC10C103EC063

Aliases (A521HE103M063C)

ALC10, Aluminum Electrolytic, 10,000 uF, 20%, 63 VDC, -40/+85°C



Click [here](#) for the 3D model.

### Dimensions

D	40mm +1mm
L	35mm +/-2mm
S	22.5mm +/-0.1mm
LL	6.3mm +/-1mm
F	2mm +/-0.1mm

### Packaging Specifications

Sleeving	Yes
Packaging	Bulk, Bag

### General Information

Series	ALC10
Dielectric	Aluminum Electrolytic
Description	Snap-In, Aluminum Electrolytic
RoHS	Yes
Lead	4 Pin
AEC-Q200	No
Typical Component Weight	45 g
Notes	Dimensions D And L Include Sleeving.
Shelf Life	156 Weeks

### Specifications

Capacitance	10,000 uF
Capacitance Tolerance	20%
Voltage DC	63 VDC, 72.45 VDC (Surge)
Temperature Range	-40/+85°C
Rated Temperature	85°C
Life	18000 Hrs (Rated Voltage And Ripple Current At 85C), 29000 Hrs (Rated Voltage At 85C)
ESR	80 mOhms (100Hz 20C), 72 mOhms (10kHz 20C)
Ripple Current	4.58 Amps (100Hz 85C), 4.67 Amps (10kHz 85C)
Leakage Current	3780 uA (5min 20°C)

Statements of suitability for certain applications are based on our knowledge of typical operating conditions for such applications, but are not intended to constitute - and we specifically disclaim - any warranty concerning suitability for a specific customer application or use. This Information is intended for use only by customers who have the requisite experience and capability to determine the correct products for their application. Any technical advice inferred from this Information or otherwise provided by us with reference to the use of our products is given gratis, and we assume no obligation or liability for the advice given or results obtained.