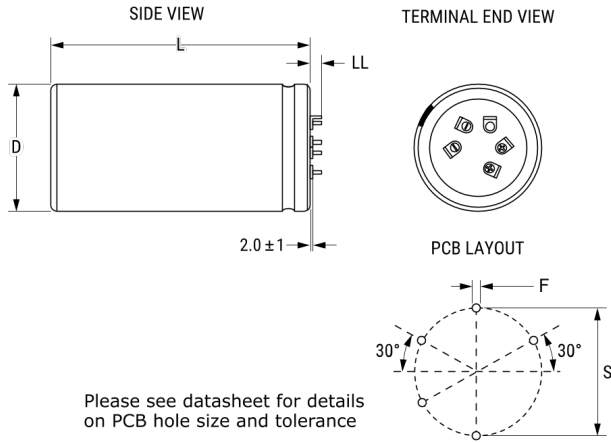


ALF80G911EH400

Aliases (A557HK911M400G)

ALF80, Aluminum Electrolytic, 910 uF, 20%, 400 VDC, -40/+105°C



Please see datasheet for details on PCB hole size and tolerance

Click [here](#) for the 3D model.

Dimensions

D	40mm +1mm
L	60mm +/-2mm
S	25mm +/-0.1mm
LL	5.5mm +/-1mm
F	1.486mm +/-0.076mm

Packaging Specifications

Sleeving	Yes
Packaging	Bulk

General Information

Series	ALF80
Dielectric	Aluminum Electrolytic
Style	Press-Fit
Description	Press-Fit, Aluminum Electrolytic
RoHS	Yes
Lead	5 Pin Press-Fit
AEC-Q200	No
Typical Component Weight	125 g
Notes	Dimensions D And L Include Sleeving.
Shelf Life	156 Weeks

Specifications

Capacitance	910 uF
Capacitance Tolerance	20%
Voltage DC	400 VDC, 440 VDC (Surge)
Temperature Range	-40/+105°C
Rated Temperature	105°C
Life	9000 Hrs (Rated Voltage And Ripple Current At 105C), 14000 Hrs (Rated Voltage At 105C)
ESR	141.6 mOhms (100Hz 20C), 74.59 mOhms (10kHz 20C)
Ripple Current	4.038 Amps (100Hz 105C), 9.481 Amps (10kHz 105C)
Leakage Current	1092 uA (5min 20°C)