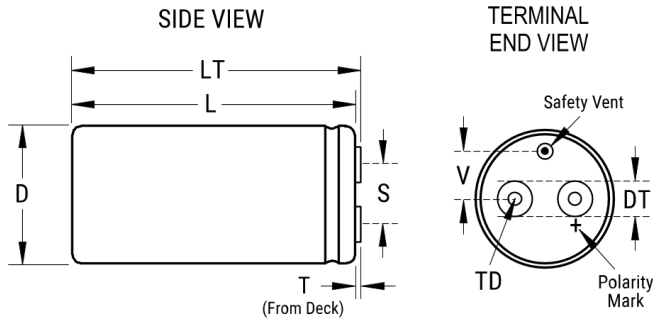


## ALS30A152DF200

Aliases (A331FM152M200A)

ALS30, Aluminum Electrolytic, 1,500 uF, 20%, 200 VDC, -40/+85°C



Click [here](#) for the 3D model.

### Dimensions

D	36mm +/-1mm
L	105mm +/-2mm
T	7.1mm +/-0.5mm
S	12.8mm +/-0.5mm
DT	8mm +/-0.5mm
LT	111.5mm +/-1mm
TD	10mm MIN
V	8mm NOM

### Packaging Specifications

Sleeving	Yes
Packaging	Bulk, Box

### General Information

Series	ALS30
Dielectric	Aluminum Electrolytic
Description	Screw Terminal, Aluminum Electrolytic
RoHS	Yes
■ ■	Through-Hole
AEC-Q200	No
Typical Component Weight	140 g
Notes	Dimensions D And L Include Sleeving. MS (MxH) = M8x12. Mounting Clamp (Sold Separately): V3/H2/2736
Shelf Life	156 Weeks

### Specifications

Capacitance	1,500 uF
Capacitance Tolerance	20%
Voltage DC	200 VDC, 230 VDC (Surge)
Temperature Range	-40/+85°C
Rated Temperature	85°C
Life	11000 Hrs (Rated Voltage And Ripple Current At 85C), 22000 Hrs (Rated Voltage At 85C)
ESR	90 mOhms (100Hz 20C), 72 mOhms (10kHz 20C)
Ripple Current	5.6 Amps (100Hz 85C), 9.1 Amps (10kHz 85C)
Leakage Current	1800 uA (5min 20°C)