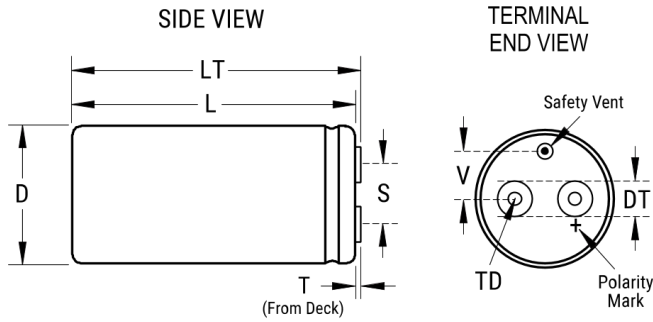


## ALS30A223DE040

Aliases (A331FH223M040A)

ALS30, Aluminum Electrolytic, 22,000 uF, 20%, 40 VDC, -40/+85°C



Click [here](#) for the 3D model.

### Dimensions

D	36mm +/-1mm
L	82mm +/-2mm
T	7.1mm +/-0.5mm
S	12.8mm +/-0.5mm
DT	8mm +/-0.5mm
LT	87.5mm +/-1mm
TD	10mm MIN
V	8mm NOM

### Packaging Specifications

Sleeving	Yes
Packaging	Bulk, Box

### General Information

Series	ALS30
Dielectric	Aluminum Electrolytic
Description	Screw Terminal, Aluminum Electrolytic
RoHS	Yes
AEC-Q200	No
Typical Component Weight	115 g
Notes	Dimensions D And L Include Sleeving. MS (MxH) = M8x12. Mounting Clamp (Sold Separately): V3/H2/2736
Shelf Life	156 Weeks

### Specifications

Capacitance	22,000 uF
Capacitance Tolerance	20%
Voltage DC	40 VDC, 46 VDC (Surge)
Temperature Range	-40/+85°C
Rated Temperature	85°C
Life	11000 Hrs (Rated Voltage And Ripple Current At 85C), 22000 Hrs (Rated Voltage At 85C)
ESR	11 mOhms (100Hz 20C), 10 mOhms (10kHz 20C)
Ripple Current	12.7 Amps (100Hz 85C), 13.3 Amps (10kHz 85C)
Leakage Current	5280 uA (5min 20°C)