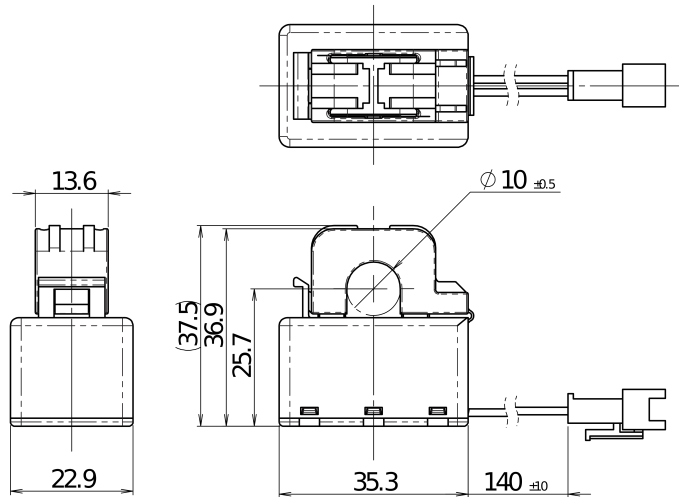


C/CT-0810

Aliases (USEX0810000000)

KEMET, C/CT-0810, Current, Round - Snap-on, AC, High Performance, Compact, Slim, Flame Retardant



Click [here](#) for the 3D model.

Dimensions

D	10mm +/-0.5mm
L	35.3mm
H	37.5mm
T	22.9mm
LL	140mm +/-10mm

Packaging Specifications

Packaging	Tray
Packaging Quantity	108
Typical Component Weight	46.5 g

General Information

Series	C/CT-0810
Type	Current
Style	Round - Snap-on
Description	High Alternating Current Sensor
Features	High Performance, Compact, Slim, Flame Retardant
Lead	Cable Connector
RoHS	Yes
REACH	Yes

Specifications

Temperature Range	-10/+60°C
Voltage DC	270 mV (Output, +/- 8 mV), 7.5 V (Output Protection)
Insulation Resistance	100 MOhms (At 500 VDC, between core and terminal)
Current	80 Amps (50Hz/60Hz)
Miscellaneous	Current Transformation Ratio = 3,000. Insulation Resistance = 500 VDC To 100 MOhms. Storage Temperature = -20/+75C.