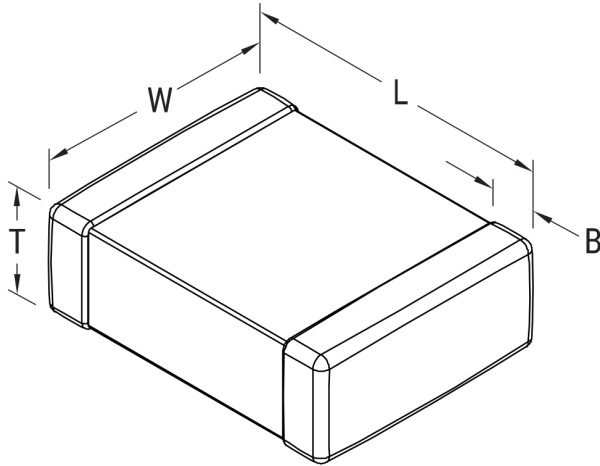


CDR31BP1R5BBUS-T&R

Aliases (C0805N159B1GSL7189, CDR31BP1R5BBZS-T&R, CDR31BP1R5BBWS-T&R)

SMD Mil PRF55681, Ceramic, 1.5 pF, +/-0.1 pF, 100 VDC, BP, Ceramic Chips, MIL PRF 55681 Established Reliability, S (0.001%/1000 Hrs), 0805



Click [here](#) for the 3D model.

Dimensions

| | |
|-----------|-----------------|
| Chip Size | 0805 |
| L | 2mm +/-0.20mm |
| W | 1.25mm +/-0.2mm |
| T | 1.3mm MAX |
| B | 0.5mm +/-0.20mm |

Packaging Specifications

| | |
|--------------------|--------------------------|
| Packaging | T&R, 178mm, Plastic Tape |
| Packaging Quantity | 4000 |

General Information

| | |
|-------------------------|--|
| Series | SMD Mil PRF55681 |
| Style | SMD Chip |
| Description | Ceramic Chips, MIL PRF 55681 Established Reliability |
| RoHS | No |
| Prop 65 | ⚠ WARNING: Cancer and reproductive harm - http://www.p65warnings.ca.gov . |
| SCIP Number | db44bada-287e-465e-9a06-2b93bb6487ea |
| Termination | Lead (SnPb) |
| Failure Rate | S (0.001%/1000 Hrs) |
| Testing and Reliability | MIL-PRF-55681 |
| Qualifications | MIL-PRF-55681 |
| AEC-Q200 | No |
| Shelf Life | 78 Weeks |
| MSL | 1 |

Specifications

| | |
|---------------------------------|------------|
| Capacitance | 1.5 pF |
| Capacitance Tolerance | +/-0.1 pF |
| Voltage DC | 100 VDC |
| Dielectric Withstanding Voltage | 250 VDC |
| Temperature Range | -55/+125°C |
| Temperature Coefficient | BP |
| Dissipation Factor | 0.15% |
| Insulation Resistance | 100 GOhms |