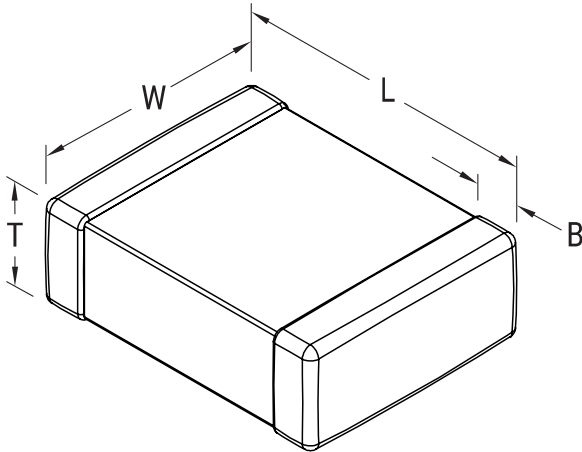


CDR33BP152BFUS-T&R

Aliases (CDR33BP152BFUS-T&R, CDR33BP152BFZS-T&R, CDR33BP152BFWS-T&R)

SMD Mil PRF55681, Ceramic, 1500 pF, 1%, 100 VDC, BP, Ceramic Chips, MIL PRF 55681 Established Reliability, S (0.001%/1000 Hrs), 1210



Click [here](#) for the 3D model.

General Information

Series	SMD Mil PRF55681
Style	SMD Chip
Description	Ceramic Chips, MIL PRF 55681 Established Reliability
RoHS	No
Prop 65	WARNING: Cancer and reproductive harm - https://www.p65warnings.ca.gov/
SCIP Number	db44bada-287e-465e-9a06-2b93bb6487
Termination	Lead (SnPb)
Failure Rate	S (0.001%/1000 Hrs)
Testing and Reliability	MIL-PRF-55681
Qualifications	MIL-PRF-55681
AEC-Q200	No
Shelf Life	78 Weeks
MSL	1

Dimensions

Chip Size	1210
L	3.2mm +/-0.25mm
W	2.5mm +/-0.25mm
T	1.5mm MAX
B	0.5mm +/-0.25mm

Packaging Specifications

Packaging	T&R, 178mm, Plastic Tape
Packaging Quantity	4000

Specifications

Capacitance	1500 pF
Capacitance Tolerance	1%
Voltage DC	100 VDC
Dielectric Withstanding Voltage	250 VDC
Temperature Range	-55/+125°C
Temperature Coefficient	BP
Dissipation Factor	0.15%
Insulation Resistance	100 GOhms

Statements of suitability for certain applications are based on our knowledge of typical operating conditions for such applications, but are not intended to constitute - and we specifically disclaim - any warranty concerning suitability for a specific customer application or use. This Information is intended for use only by customers who have the requisite experience and capability to determine the correct products for their application. Any technical advice inferred from this Information or otherwise provided by us with reference to the use of our products is given gratis, and we assume no obligation or liability for the advice given or results obtained.