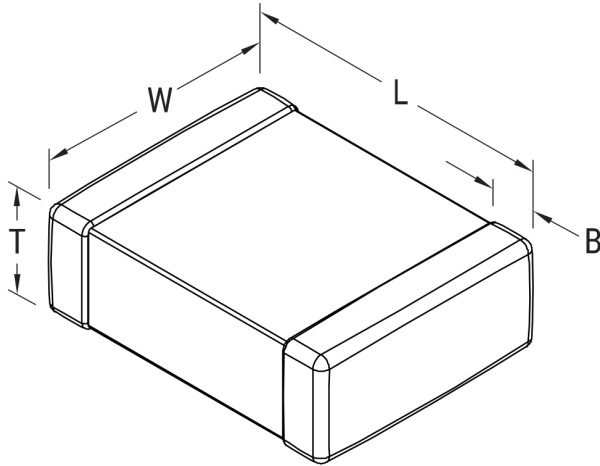


CDR03BX563AKUR-T&R

Aliases (C1808P563K5XRL7189, CDR03BX563AKZR-T&R, CDR03BX563AKWR-T&R)

SMD Mil PRF55681, Ceramic, 0.056 uF, 10%, 50 VDC, BP, Ceramic Chips, MIL PRF 55681 Established Reliability, R (0.01%/1000 Hrs), 1808



Click [here](#) for the 3D model.

Dimensions

Chip Size	1808
L	4.57mm +/-0.38mm
W	2.3mm +/-0.38mm
T	2.03mm MAX
B	0.51mm +/-0.25mm

Packaging Specifications

Packaging	T&R, 178mm, Plastic Tape
Packaging Quantity	4000

General Information

Series	SMD Mil PRF55681
Style	SMD Chip
Description	Ceramic Chips, MIL PRF 55681 Established Reliability
RoHS	No
Prop 65	⚠ WARNING: Cancer and reproductive harm - http://www.p65warnings.ca.gov .
SCIP Number	1c00297e-7f97-4ed1-8a7f-4c4644e8ab84
Termination	Lead (SnPb)
Failure Rate	R (0.01%/1000 Hrs)
Testing and Reliability	MIL-PRF-55681
Qualifications	MIL-PRF-55681
AEC-Q200	No
Shelf Life	78 Weeks
MSL	1

Specifications

Capacitance	0.056 uF
Capacitance Tolerance	10%
Voltage DC	50 VDC
Dielectric Withstanding Voltage	125 VDC
Temperature Range	-55/+125°C
Temperature Coefficient	BP
Dissipation Factor	0.15%
Insulation Resistance	100 GOhms