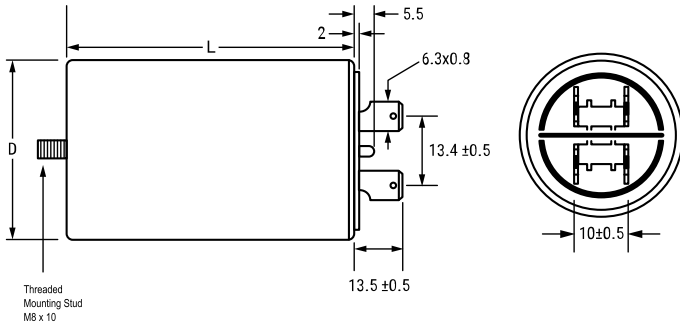


Double Faston



Click [here](#) for the 3D model.

**General Information**

|                          |   |
|--------------------------|---|
| Series                   | C27   |
| Dielectric               | Film/Foil Polypropylene                                     |
| Style                    | Can   |
| Description              | Plastic Case and Cover, Ultra Sonically Welded Seal         |
| Features                 | Ultra Sonically Welded Seal, Safety Class P0, UL_94 V0 Disk |
| RoHS                     | Yes   |
| Lead                     | Fast On (2+2)   |
| Qualifications           | UL, VDE, UL (Construction Only), UL_94 V0 Disk              |
| AEC-Q200                 | No  |
| Typical Component Weight | 26 g  |

**Dimensions**

|   |             |
|---|-------------|
| D | 25mm +1mm   |
| L | 58mm +/-2mm |

**Packaging Specifications**

|               |              |
|---------------|--------------|
| Terminal Type | Bolt - M8x10 |
| Packaging     | Bulk, Bag    |

**Specifications**

|                   |           |
|-------------------|-----------|
| Capacitance       | 2 uF      |
| Tolerance         | 5%        |
| Voltage AC        | 470 VAC   |
| Temperature Range | -25/+85°C |
| Rated Temperature | 85°C      |
| Max dV/dt         | 20 V/us   |

Statements of suitability for certain applications are based on our knowledge of typical operating conditions for such applications, but are not intended to constitute - and we specifically disclaim - any warranty concerning suitability for a specific customer application or use. This Information is intended for use only by customers who have the requisite experience and capability to determine the correct products for their application. Any technical advice inferred from this Information or otherwise provided by us with reference to the use of our products is given gratis, and we assume no obligation or liability for the advice given or results obtained.