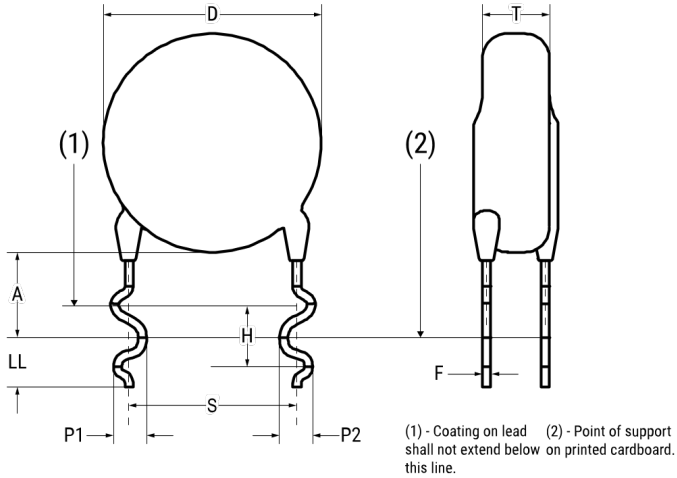


## ERK610Z222MQD0

Aliases (C814QD222M440XV693, ERK610RK4220MQD0)

Obsolete

ERK610 SFTY X1-440 Y2-300, Ceramic, 2200 pF, 20%, 440 VAC (X1), 300 VAC (Y2), Y5U, 7.5mm



Click [here](#) for the 3D model.

### Dimensions

D	10mm MAX
T	4.5mm MAX
S	7.5mm NOM
LL	3.5mm MIN
F	0.8mm +/-0.05mm
V	1.6mm +/-0.5mm

### Packaging Specifications

Packaging	Bulk, Bag
-----------	-----------

### General Information

Series	ERK610 SFTY X1-440 Y2-300
Style	Radial Disc
RoHS	Yes
Termination	Tin
Lead	Snap-In Crimp
Qualifications	UL, CSA, CAN, ENEC, VDE
AEC-Q200	No

### Specifications

Capacitance	2200 pF
Capacitance Tolerance	20%
Voltage AC	440 VAC (X1), 300 VAC (Y2)
Temperature Range	-40/+125°C
Temperature Coefficient	Y5U
Dissipation Factor	2.5%
Insulation Resistance	6 GOhms
Safety Class	X1/Y2