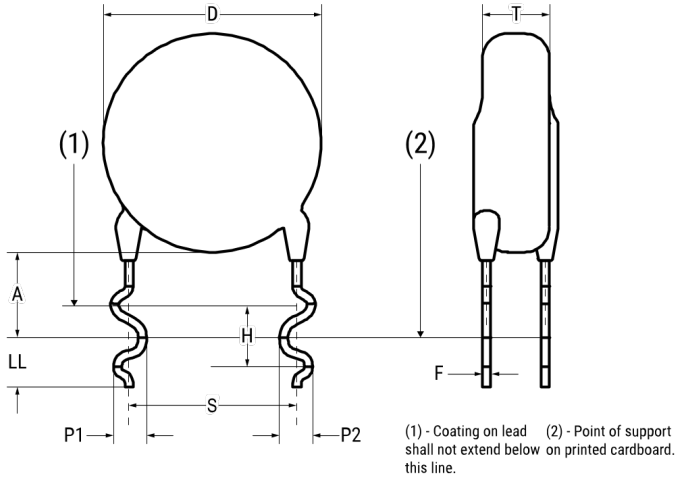


ERO610T222MQCR

Aliases (C822QC222M440X, ERO610RJ4220MQCR)

Obsolete

ERO610 SFTY X1-440 Y2-250, Ceramic, 2200 pF, 20%, 440 VAC (X1), 250 VAC (Y2), Y5U, 7.5mm



Click [here](#) for the 3D model.

Dimensions

| | |
|---|-------------------|
| D | 9mm MAX |
| T | 4.5mm MAX |
| S | 7.5mm +0.8/-0.2mm |
| F | 0.6mm +/-0.05mm |
| V | 1.4mm +/-0.5mm |

Packaging Specifications

Packaging T&R, H = 2.6mm, Component Pitch = 12.7mm

General Information

| | |
|----------------|---------------------------|
| Series | ERO610 SFTY X1-440 Y2-250 |
| Style | Radial Disc |
| RoHS | Yes |
| Termination | Tin |
| Lead | Snap-In Crimp |
| Qualifications | UL, CSA, CAN, ENEC, VDE |
| AEC-Q200 | No |

Specifications

| | |
|-------------------------|----------------------------|
| Capacitance | 2200 pF |
| Capacitance Tolerance | 20% |
| Voltage AC | 440 VAC (X1), 250 VAC (Y2) |
| Temperature Range | -40/+125°C |
| Temperature Coefficient | Y5U |
| Dissipation Factor | 2.5% |
| Insulation Resistance | 6 GOhms |
| Safety Class | X1/Y2 |