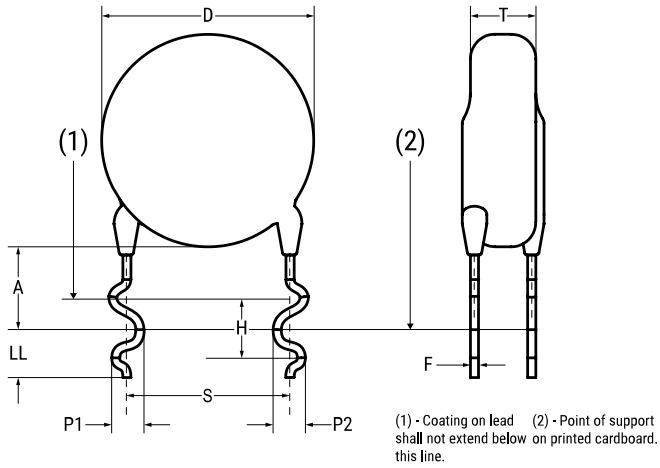


## ERO610T332MQCO

Aliases (C824QC332M440XV693, ERO610RK4330MQCO)

Obsolete

ERO610 SFTY X1-440 Y2-250, Ceramic, 3300 pF, 20%, 440 VAC (X1), 250 VAC (Y2), Y5U, 7.5mm



Click [here](#) for the 3D model.

### General Information

Series	ERO610 SFTY X1-440 Y2-250
Style	Radial Disc
RoHS	Yes
Termination	Tin
Lead	Snap-In Crimp
Qualifications	UL, CSA, CAN, ENEC, VDE
AEC-Q200	No

### Dimensions

D	10mm MAX
T	4.5mm MAX
S	7.5mm NOM
LL	2.8mm MIN
F	0.6mm +/-0.05mm
V	1.4mm +/-0.5mm

### Packaging Specifications

Packaging	Bulk, Bag
-----------	-----------

### Specifications

Capacitance	3300 pF
Capacitance Tolerance	20%
Voltage AC	440 VAC (X1), 250 VAC (Y2)
Temperature Range	-40/+125°C
Temperature Coefficient	Y5U
Dissipation Factor	2.5%
Insulation Resistance	6 GOhms
Safety Class	X1/Y2

Statements of suitability for certain applications are based on our knowledge of typical operating conditions for such applications, but are not intended to constitute - and we specifically disclaim - any warranty concerning suitability for a specific customer application or use. This Information is intended for use only by customers who have the requisite experience and capability to determine the correct products for their application. Any technical advice inferred from this Information or otherwise provided by us with reference to the use of our products is given gratis, and we assume no obligation or liability for the advice given or results obtained.