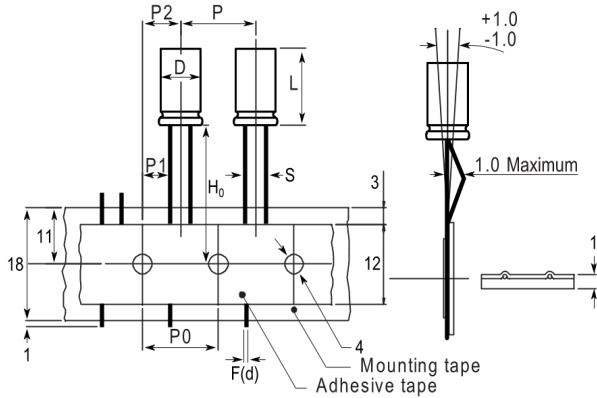


Straight Leads Diameter > 8  
Lead and packaging code EA and KA



Note: '( )' correspond to the letters used in the product bulletin

Click [here](#) for the 3D model.

#### Dimensions

D	16mm +/-0.5mm
L	25mm +2mm
S	7.5mm +/-0.5mm
LL Negative	15mm MIN
LL Positive	20mm MIN
H0	18.5mm +/-0.75mm
F	0.8mm NOM

#### Packaging Specifications

Packaging T&R

#### General Information

Series	ESC
Dielectric	Aluminum Electrolytic
Style	Radial
Description	LowESR Single Ended Aluminum Electrolytic
Features	Low ESR
RoHS	Yes
Lead	Wire Leads
AEC-Q200	No

#### Specifications

Capacitance	4700 uF
Capacitance Tolerance	20%
Voltage DC	6.3 VDC, 8 VDC (Surge)
Temperature Range	-40/+105°C
Rated Temperature	105°C
Life	3000 Hrs
Dissipation Factor	22%
ESR	0.028 Ohms (100kHz 20C)
Ripple Current	1800 mAmps (100kHz 105C)
Leakage Current	296.1 uA (2min 20°C)
Impedance Ratio at -25C	4
Impedance Ratio at -40C	8