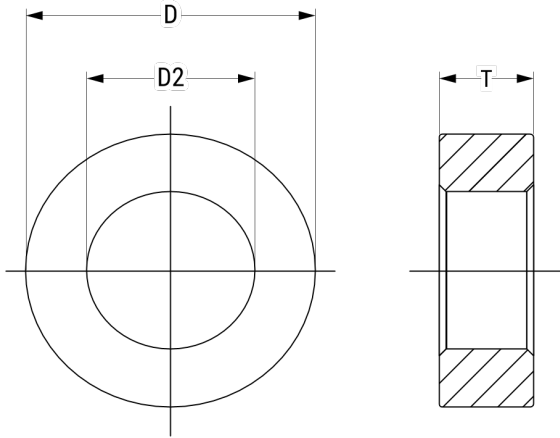


ESD-R-31SR-P

Aliases (UECESDR31SRP00)

EMI Suppression, KEMET, ESD-R-SR, Round - Toroidal, Noise Suppression



Click [here](#) for the 3D model.

Dimensions

D	32mm MAX
D2	19mm MIN
T	16mm MAX

Packaging Specifications

Packaging	Tray, Box
Packaging Quantity	300
Typical Component Weight	32.9 g

General Information

Series	ESD-R-SR
Style	Round - Toroidal
Cable Type	Round Cable
Description	EMI Core Solid, Large-Size Ring Type, For Round Cables, Coated Type
Features	High Impedance, Effectively Suppresses Radiation at 150 kHz, Low Frequency Noise
RoHS	Yes
Qualifications	UL94 V-2
Case Color	Gray
Materials	Mn-Zn

Specifications

Temperature Range	-25/+85°C
Effective Frequency	10 MHz (AM Band Range)

Statements of suitability for certain applications are based on our knowledge of typical operating conditions for such applications, but are not intended to constitute - and we specifically disclaim - any warranty concerning suitability for a specific customer application or use. This Information is intended for use only by customers who have the requisite experience and capability to determine the correct products for their application. Any technical advice inferred from this Information or otherwise provided by us with reference to the use of our products is given gratis, and we assume no obligation or liability for the advice given or results obtained.