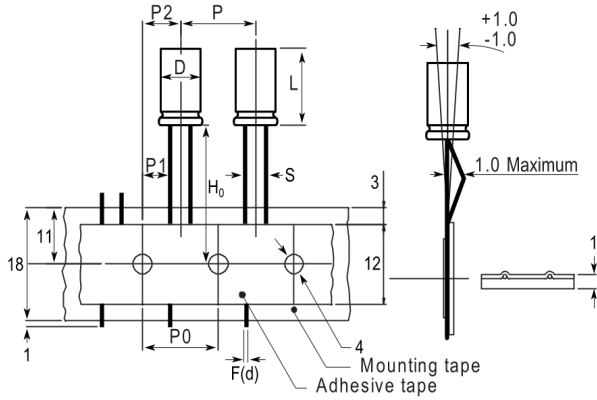


Straight Leads Diameter > 8  
Lead and packaging code EA and KA



Note: '()' correspond to the letters used in the product bulletin

Click [here](#) for the 3D model.

### Dimensions

D	10mm +/-0.5mm
L	15mm +2.0mm
S	5mm +/-0.5mm
LL Negative	15mm MIN
LL Positive	20mm MIN
F	0.6mm NOM

### Packaging Specifications

Packaging Ammo

General Information	
Series	ESX
Dielectric	Aluminum Electrolytic
Description	Single Ended Aluminum Electrolytic
RoHS	Yes
Lead	Wire Leads
AEC-Q200	No

Specifications	
Capacitance	470 uF
Capacitance Tolerance	20%
Voltage DC	25 VDC, 32 VDC (Surge)
Temperature Range	-40/+105°C
Rated Temperature	105°C
Life	3000 Hrs
Dissipation Factor	14%
ESR	0.165 Ohms (ESR, 100kHz 25C), 0.165 Ohms (Z, 100kHz 20C)
Ripple Current	590 mAmps (100kHz 105C)
Leakage Current	150.4 uA (2min 20°C)
Impedance Ratio at -25C	3
Impedance Ratio at -40C	4