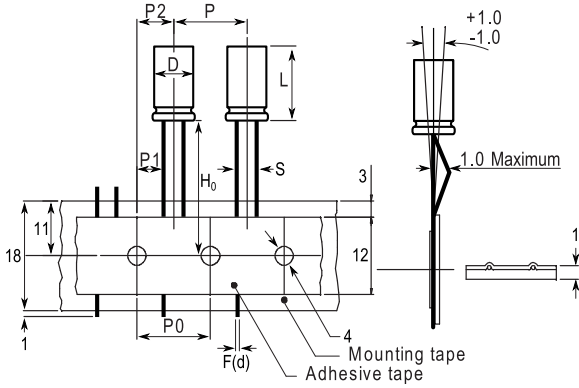


Straight Leads Diameter > 8  
Lead and packaging code EA and KA



Note: '( )' correspond to the letters used in the product bulletin

Click [here](#) for the 3D model.

#### General Information

Series	ESY
Dielectric	Aluminum Electrolytic
Style	Radial
Description	LowZ Single Ended Aluminum Electrolytic
Features	Low Z
RoHS	Yes
Lead	Wire Leads
AEC-Q200	No

#### Dimensions

D	10mm +/-0.5mm
L	15mm +2mm
S	5mm +/-0.5mm
LL Negative	15mm MIN
LL Positive	20mm MIN
H0	18.5mm +/-0.75mm
F	0.6mm NOM

#### Packaging Specifications

Packaging	Ammo
-----------	------

#### Specifications

Capacitance	1000 uF
Capacitance Tolerance	20%
Voltage DC	10 VDC, 13 VDC (Surge)
Temperature Range	-40/+105°C
Rated Temperature	105°C
Life	4000 Hrs
Dissipation Factor	19% 120Hz 20C
ESR	0.038 Ohms (100kHz 20C)
Ripple Current	1430 mAmps (100kHz 105C)
Leakage Current	100 uA (2min 20°C)
Impedance Ratio at -25C	2
Impedance Ratio at -40C	3

Statements of suitability for certain applications are based on our knowledge of typical operating conditions for such applications, but are not intended to constitute - and we specifically disclaim - any warranty concerning suitability for a specific customer application or use. This Information is intended for use only by customers who have the requisite experience and capability to determine the correct products for their application. Any technical advice inferred from this Information or otherwise provided by us with reference to the use of our products is given gratis, and we assume no obligation or liability for the advice given or results obtained.