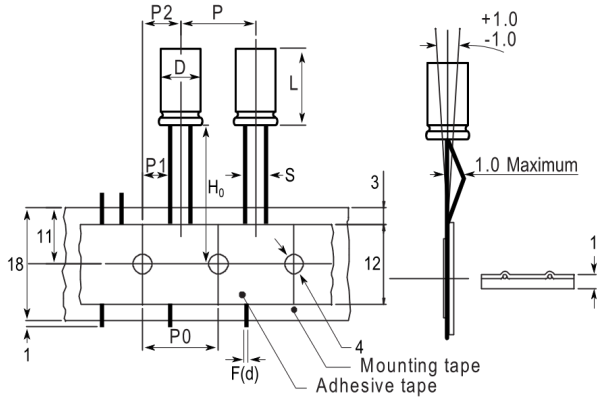


Straight Leads Diameter > 8
Lead and packaging code EA and KA



Note: '()' correspond to the letters used in the product bulletin

Click [here](#) for the 3D model.

Dimensions

D	12.5mm +/-0.5mm
L	45mm +2mm
S	5mm +/-0.5mm
LL Negative	15mm MIN
LL Positive	20mm MIN
H0	18.5mm +/-0.75mm
F	0.6mm NOM

Packaging Specifications

Packaging Ammo

General Information

Series	ETG
Dielectric	Aluminum Electrolytic
Style	Radial
Description	Single Ended Aluminum Electrolytic
RoHS	Yes
Lead	Wire Leads
AEC-Q200	No

Specifications

Capacitance	68 uF
Capacitance Tolerance	20%
Voltage DC	350 VDC, 400 VDC (Surge)
Temperature Range	-25/+105°C
Rated Temperature	105°C
Life	5000 Hrs
Dissipation Factor	20% 120Hz 20C
Ripple Current	350 mAmps (100kHz 105C)
Leakage Current	1438 uA (2min 20°C)
Impedance Ratio at -25C	5