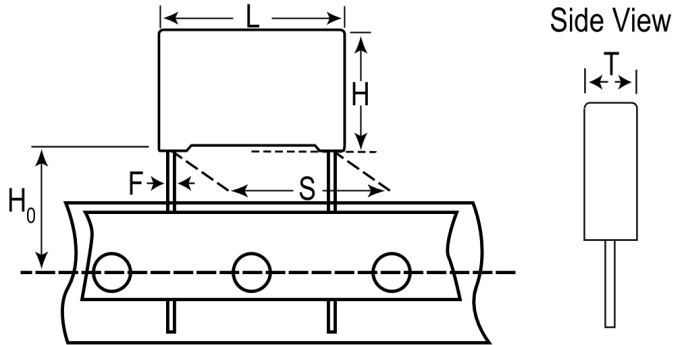


PHE426KA5220KR17T0

Aliases (F426AG223K400L)

Not for New Design

PHE426/F426, Film, Metallized Polypropylene, General Purpose, 0.022 uF, 10%, 400 VDC, 85°C, 10mm



Click [here](#) for the 3D model.

Dimensions

L	13mm MAX
H	9mm MAX
T	4mm MAX
S	10mm +0.6/-0.1mm
H0	17mm NOM
F	0.6mm NOM

Packaging Specifications

Packaging	T&R
Packaging Quantity	900

General Information

Series	PHE426/F426
Dielectric	Metallized Polypropylene
Style	Radial
Features	Pulse
RoHS	Yes
Termination	Tinned Wire
Lead	Wire Leads
AEC-Q200	No
Typical Component Weight	0.631 g
Notes	Series Replaced by R75.

Specifications

Capacitance	0.022 uF
Capacitance Tolerance	10%
Voltage DC	400 VDC, 296 VDC (105C)
Voltage AC	220 VAC
Temperature Range	-55/+105°C
Rated Temperature	85°C
Dissipation Factor	0.05% 1kHz, 0.25% 100kHz
Insulation Resistance	100 GOhms
Max dV/dt	300 V/us
Inductance	6 nH