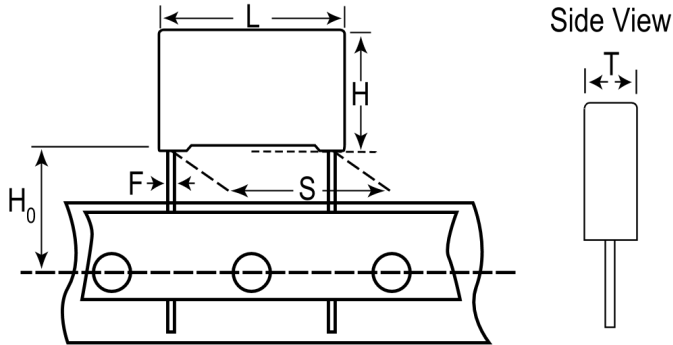


## PHE426MB5680JR17T0

Aliases (F426BG683J630L, PHE426MB5680JB15R17T0)

Not for New Design

PHE426/F426, Film, Metallized Polypropylene, General Purpose, 0.068 uF, 5%, 630 VDC, 85°C, 15mm



Click [here](#) for the 3D model.

### Dimensions

L	18mm MAX
H	12mm MAX
T	6mm MAX
S	15mm +0.6/-0.1mm
H0	17mm NOM
F	0.8mm NOM

### Packaging Specifications

Packaging	T&R
Packaging Quantity	500

### General Information

Series	PHE426/F426
Dielectric	Metallized Polypropylene
Style	Radial
Features	Pulse
RoHS	Yes
Termination	Tinned Wire
Lead	Wire Leads
AEC-Q200	No
Typical Component Weight	1.962 g
Notes	Series Replaced by R75.

### Specifications

Capacitance	0.068 uF
Capacitance Tolerance	5%
Voltage DC	630 VDC, 466 VDC (105C)
Voltage AC	250 VAC
Temperature Range	-55/+105°C
Rated Temperature	85°C
Dissipation Factor	0.05% 1kHz, 0.25% 100kHz
Insulation Resistance	100 GOhms
Max dV/dt	300 V/us
Inductance	6 nH