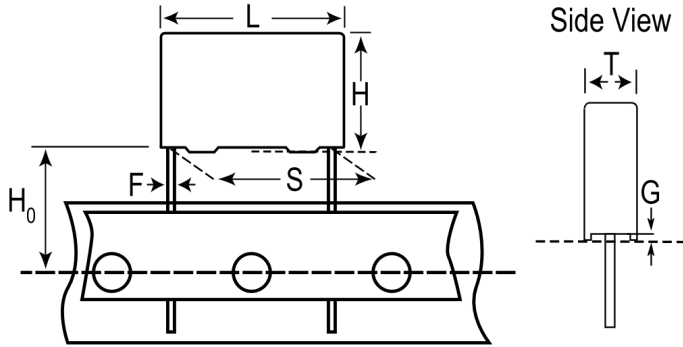


## PHE429MB6100KR17T0

Aliases (F429BD104K630L)

PHE429/F429, Film, Metallized Polypropylene, General Purpose, 0.1 uF, 10%, 630 VDC, 85°C, 15mm



Click [here](#) for the 3D model.

### Dimensions

L	18mm -0.5mm
H	10.5mm -0.5mm
T	5.5mm -0.5mm
S	15mm +0.6/-0.1mm
H0	18.5mm +/-0.5mm
F	0.8mm +/-0.05mm
G	0.5mm NOM

### Packaging Specifications

Packaging	T&R
Packaging Quantity	600

### General Information

Series	PHE429/F429
Dielectric	Metallized Polypropylene
Style	Radial
Features	Pulse
RoHS	Yes
Termination	Tinned Wire
Lead	Wire Leads
AEC-Q200	No
Miscellaneous	The Rated Voltage Decreases 1.3%/C Between +85C And +110C. Rthha= 99 C/W (85C), 0.2 m/s.

### Specifications

Capacitance	0.1 uF
Capacitance Tolerance	10%
Voltage DC	630 VDC, 507 VDC (105C)
Voltage AC	275 VAC
Temperature Range	-55/+110°C
Rated Temperature	85°C
Dissipation Factor	0.1% 1kHz
Insulation Resistance	300 GOhms
Max dV/dt	250 V/us
Inductance	6 nH