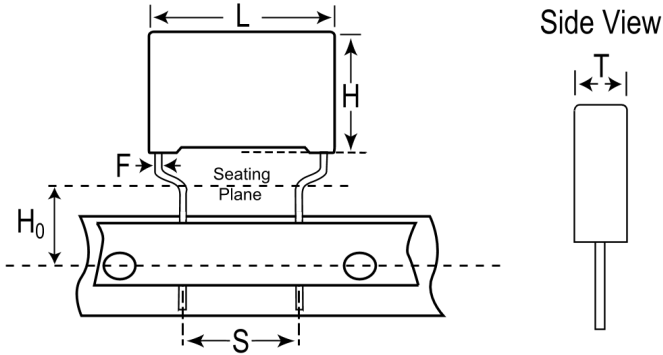


PHE429MB6150KR25XA

Aliases (F429BJ154K630XLAF1)

PHE429/F429, Film, Metallized Polypropylene, General Purpose, 0.15 uF, 10%, 630 VDC, 85°C, 7.5mm



Click [here](#) for the 3D model.

Dimensions

L	18mm -0.5mm
H	12.5mm -0.5mm
T	6.5mm -0.5mm
S	7.5mm +0.6/-0.1mm
H ₀	16.5mm +/-0.5mm
F	0.8mm +/-0.05mm
G	0.5mm NOM

Packaging Specifications

Packaging	Ammo, 330x330x50mm, Box
Packaging Quantity	480

General Information

Series	PHE429/F429
Dielectric	Metallized Polypropylene
Style	Radial
Features	Pulse
RoHS	Yes
Termination	Tinned Wire
Lead	Formed To 7.5mm
AEC-Q200	No
Miscellaneous	The Rated Voltage Decreases 1.3%/C Between +85C And +110C. Rthha= 84 C/W (85C), 0.2 m/s.

Specifications

Capacitance	0.15 uF
Capacitance Tolerance	10%
Voltage DC	630 VDC, 507 VDC (105C)
Voltage AC	275 VAC
Temperature Range	-55/+110°C
Rated Temperature	85°C
Dissipation Factor	0.1% 1kHz
Insulation Resistance	200 GOhms
Max dV/dt	250 V/us
Inductance	6 nH

Statements of suitability for certain applications are based on our knowledge of typical operating conditions for such applications, but are not intended to constitute - and we specifically disclaim - any warranty concerning suitability for a specific customer application or use. This Information is intended for use only by customers who have the requisite experience and capability to determine the correct products for their application. Any technical advice inferred from this Information or otherwise provided by us with reference to the use of our products is given gratis, and we assume no obligation or liability for the advice given or results obtained.