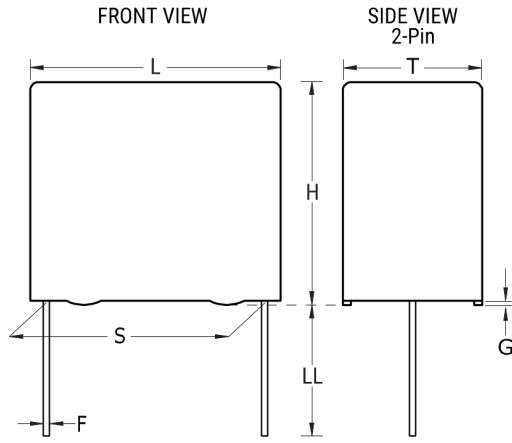


PHE450MA5180JR20

Aliases (F450AH183J630ALL0L)

Not for New Design

PHE450/F450, Film, Double Metallized Polypropylene, General Purpose, 0.018 uF, 5%, 630 VDC, 85°C, 10mm



Click [here](#) for the 3D model.

Dimensions

L	13mm -0.5mm
H	10.5mm -0.5mm
T	4.5mm -0.5mm
S	10mm +0.4/-0.4mm
LL	20mm +5mm
F	0.6mm +/-0.05mm
G	0.5mm NOM

Packaging Specifications

Packaging	Bulk, Bag
Packaging Quantity	1000

General Information

Series	PHE450/F450
Dielectric	Double Metallized Polypropylene
Style	Radial
Features	Pulse
RoHS	Yes
Termination	Tinned Wire
Lead	Wire Leads
AEC-Q200	No
Miscellaneous	The Rated Voltage Decreases 1.3%/C Between +85C And +105C. Rthha= 122 C/W (85C), 0.2 m/s.
Notes	Series Replaced by R76.

Specifications

Capacitance	0.018 uF
Capacitance Tolerance	5%
Voltage DC	630 VDC (85C), 466.2 VDC (105C)
Voltage AC	300 VAC
Temperature Range	-55/+105°C
Rated Temperature	85°C
Dissipation Factor	0.03% 1kHz, 0.04% 10kHz, 0.15% 100kHz
Insulation Resistance	100 GOhms
Max dV/dt	1200 V/us
Inductance	6 nH