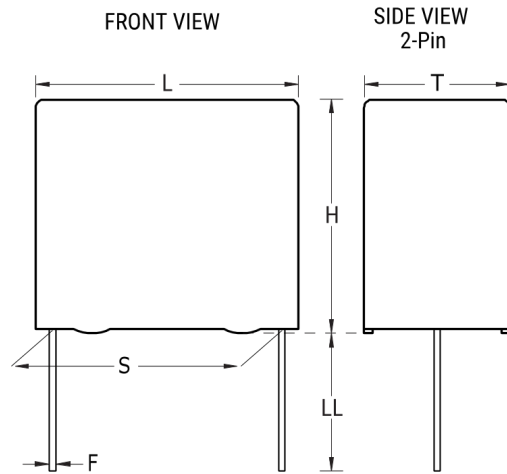


F5ABC3820AAE6K

Aliases (5ABC3820AAE6K)

F5A, Film, Metallized Polyester, Varistor/Capacitor, 0.82 uF, 10%, 18 VDC, 100°C, 5mm



Click [here](#) for the 3D model.

Dimensions

L	7.5mm MAX
H	10.1mm MAX
T	5.1mm MAX
S	5mm +/-0.4mm
LL	4mm +2mm
F	0.6mm +/-0.05mm

Packaging Specifications

Packaging	Bulk, Bag
Packaging Quantity	1000

General Information

Series	F5A
Dielectric	Metallized Polyester
Style	Radial
Features	EMI-RFI suppressors for DC motors
RoHS	Yes
Termination	Tinned Wire
Lead	Wire Leads
Qualifications	AEC-Q200
AEC-Q200	Yes
Miscellaneous	The Rated Voltage Decreases 2%/C Between +100C And +125C. Varistor= 27 VDC.

Specifications

Capacitance	0.82 uF
Capacitance Tolerance	10%
Voltage DC	18 VDC, 9 VDC (125C)
Temperature Range	-55/+125°C
Rated Temperature	100°C
Dissipation Factor	1% 1kHz