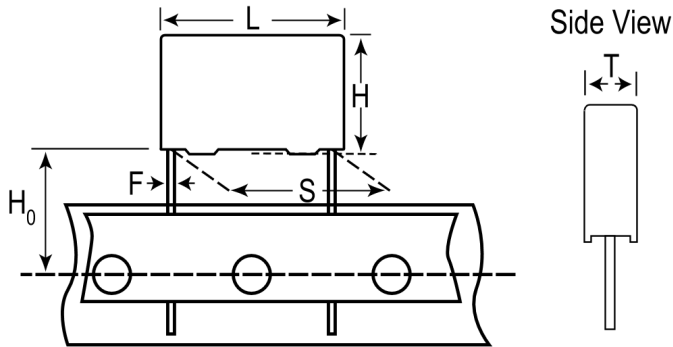


F5ANF3330DQB2M

Aliases (5ANF3330DQB2M)

F5A, Film, Metallized Polyester, Varistor/Capacitor, 0.33 uF, 20%, 45 VDC, 100°C, 10mm



Click [here](#) for the 3D model.

Dimensions

L	13.4mm MAX
H	11.1mm MAX
T	5.2mm MAX
S	10mm +0.6/-0.1mm
H0	18.5mm +/-0.5mm
F	0.75mm +/-0.05mm

Packaging Specifications

Packaging	Ammo, 360x340x59mm, Box
Packaging Quantity	800

General Information

Series	F5A
Dielectric	Metallized Polyester
Style	Radial
Features	EMI-RFI suppressors for DC motors
RoHS	Yes
Lead	Wire Leads
Qualifications	AEC-Q200
AEC-Q200	Yes
Miscellaneous	The Rated Voltage Decreases 2%/C Between +100C And +125C. Varistor= 56 VDC.

Specifications

Capacitance	0.33 uF
Capacitance Tolerance	20%
Voltage DC	45 VDC, 23 VDC (125C)
Temperature Range	-55/+125°C
Rated Temperature	100°C
Dissipation Factor	1% 1kHz