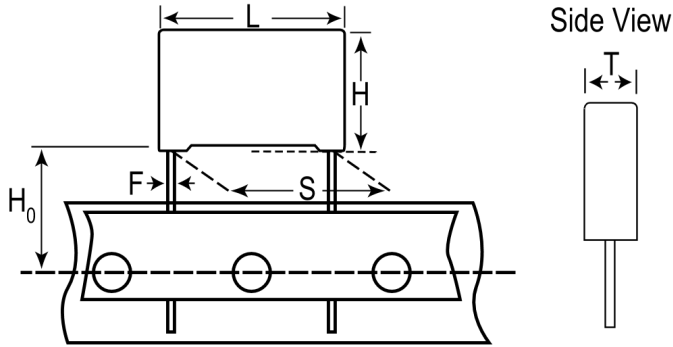


MMK10223K400A01L16.5TR18

Aliases (F601AG223K400L, MMK10223K400A01L16,5TR18)

Not for New Design • Recommended Replacement Series R60

MMK/F601, Film, Metallized Polyester, General Purpose, 0.022 uF, 10%, 400 VDC, 85°C, 10mm



Click [here](#) for the 3D model.

Dimensions

L	13mm MAX
H	9mm MAX
T	4mm MAX
S	10mm +0.6/-0.1mm
H ₀	16mm NOM
F	0.6mm NOM

Packaging Specifications

Packaging	T&R
Packaging Quantity	900

General Information

Series	MMK/F601
Dielectric	Metallized Polyester
Style	Radial
Features	DC Multipurpose Applications
RoHS	Yes
Termination	Tinned Wire
Lead	Wire Leads
AEC-Q200	No
Typical Component Weight	0.68 g
Notes	Not for new design – the replacement series is: R60.

Specifications

Capacitance	0.022 uF
Capacitance Tolerance	10%
Voltage DC	400 VDC, 310 VDC (100C)
Voltage AC	200 VAC
Temperature Range	-55/+100°C
Rated Temperature	85°C
Dissipation Factor	0.8% 1kHz, 1.5% 10kHz, 3% 100kHz
Insulation Resistance	30 GOhms
Max dV/dt	30 V/us
Inductance	6 nH

Statements of suitability for certain applications are based on our knowledge of typical operating conditions for such applications, but are not intended to constitute - and we specifically disclaim - any warranty concerning suitability for a specific customer application or use. This Information is intended for use only by customers who have the requisite experience and capability to determine the correct products for their application. Any technical advice inferred from this Information or otherwise provided by us with reference to the use of our products is given gratis, and we assume no obligation or liability for the advice given or results obtained.