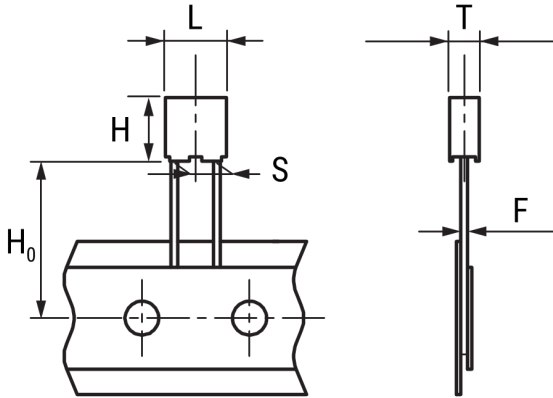


## MMK5153K250J01L16.5TR16

Aliases (F601JF153K250K, MMK5153K250J01L16,5TR16)

Not for New Design • Recommended Replacement Series R60

MMK/F601, Film, Metallized Polyester, General Purpose, 0.015 uF, 10%, 250 VDC, 85°C, 5mm



Click [here](#) for the 3D model.

### Dimensions

L	7.2mm MAX
H	6.5mm MAX
T	2.5mm MAX
S	5mm +0.6/-0.1mm
H0	16mm NOM
F	0.5mm NOM

### Packaging Specifications

Packaging	T&R
Packaging Quantity	2500

### General Information

Series	MMK/F601
Dielectric	Metallized Polyester
Style	Radial
Features	DC Multipurpose Applications
RoHS	Yes
Termination	Tinned Wire
Lead	Wire Leads
AEC-Q200	No
Notes	Not for new design – the replacement series is: R60.

### Specifications

Capacitance	0.015 uF
Capacitance Tolerance	10%
Voltage DC	250 VDC, 193.8 VDC (100C)
Voltage AC	160 VAC
Temperature Range	-55/+100°C
Rated Temperature	85°C
Dissipation Factor	0.8% 1kHz, 1.2% 10kHz, 2.5% 100kHz
Insulation Resistance	30 GOhms
Max dV/dt	40 V/us
Inductance	6 nH