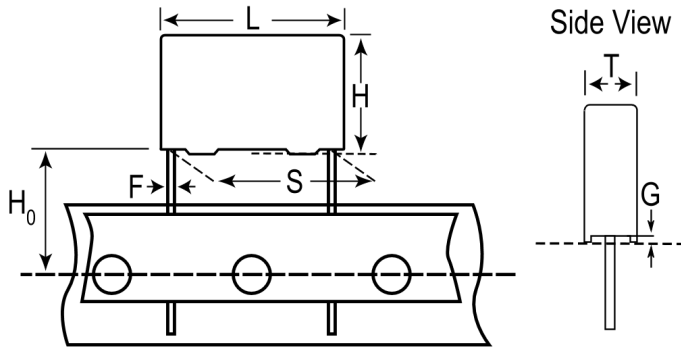


## F622JF222K250L

Obsolete

F622, Film, Metallized Polyester Stacked, General Purpose, 2200 pF, 10%, 250 VDC, 85°C, 5mm



Click [here](#) for the 3D model.

### Dimensions

L	7.2mm -0.5mm
H	6.5mm -0.5mm
T	2.5mm -0.5mm
S	5mm +/-0.4mm
H <sub>0</sub>	18.5mm +/-0.5mm
F	0.6mm +/-0.05mm
G	0.5mm NOM

### Packaging Specifications

Packaging	T&R
Packaging Quantity	2500

### General Information

Series	F622
Dielectric	Metallized Polyester Stacked
Style	Radial
Features	MKT (Stacked), DC Multipurpose Applications
RoHS	Yes
Termination	Tinned Wire
Lead	Wire Leads
AEC-Q200	No
Miscellaneous	The Rated Voltage Decreases 1.25%/C Between +85C And +125C. ClimCat: 55/125/56.

### Specifications

Capacitance	2200 pF
Capacitance Tolerance	10%
Voltage DC	250 VDC, 125 VDC (125C)
Voltage AC	160 VAC
Temperature Range	-55/+125°C
Rated Temperature	85°C
Dissipation Factor	0.8% 1kHz, 1.2% 10kHz, 2.5% 100kHz
Insulation Resistance	30 GOhms
Max dV/dt	400 V/us
Inductance	6 nH