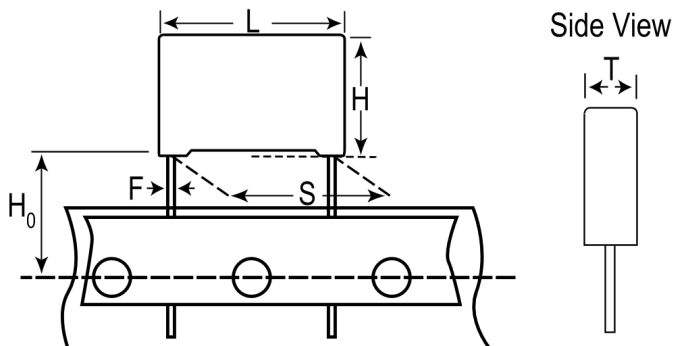


PHE840MK5100MK01R17T0

Aliases (F840KG103M275L)

Not for New Design • Recommended Replacement Series R46 X2 310 VAC

PHE840M/F840, Film, Metallized Polypropylene, Safety, 0.01 uF, 20%, 275 VAC (X2), 760 VDC, 105°C, 7.5mm



Click [here](#) for the 3D model.

Dimensions

L	10mm MAX
H	8mm MAX
T	4mm MAX
S	7.5mm +0.6/-0.1mm
H ₀	17mm NOM
F	0.6mm NOM

Packaging Specifications

Packaging	T&R
Packaging Quantity	1700

General Information

Series	PHE840M/F840
Dielectric	Metallized Polypropylene
Style	Radial
Features	EMI Safety
RoHS	Yes
Lead	Wire Leads
Safety Class	X2
Qualifications	ENEC, UL, cUL
AEC-Q200	No
THB Performance	No
Typical Component Weight	0.508 g
Notes	Not for new design – the replacement series is: R46 X2 310VAC.

Specifications

Capacitance	0.01 uF
Capacitance Tolerance	20%
Voltage AC	275 VAC (X2)
Voltage DC	760 VDC
Temperature Range	-55/+105°C
Rated Temperature	105°C
Dissipation Factor	0.1% 1kHz, 0.2% 10kHz, 0.6% 100kHz
Insulation Resistance	30 GOhms
Max dV/dt	100 V/us