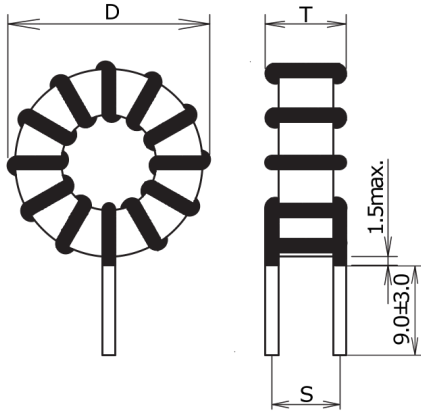


HHBC14-1R2A0120V

Aliases (UALC141R2A0120)

Differential Mode Chokes - Power, KEMET, HHBC, Through-Hole, Normal Mode, 0.12 mH, 20%



Click [here](#) for the 3D model.

General Information

Series	HHBC
Style	Through-Hole
Features	Noise Solution, Switching Power Supply Outlets, DC-DC Converter
RoHS	Yes
Miscellaneous	50 (K) Temperature Rise Max.
Core	Fe-Si

Specifications

Inductance	120 uH
Inductance Tolerance	20%
Current	8 A
Temperature Range	-40/+125°C
DC Resistance	29.9 mOhms

Dimensions

D	34mm MAX
T	18.6mm MAX
LL	9mm +/-3mm
S	15mm NOM
Wire Size	1.2mm

Packaging Specifications

Packaging	Tray
Packaging Quantity	120
Typical Component Weight	41 g

Statements of suitability for certain applications are based on our knowledge of typical operating conditions for such applications, but are not intended to constitute - and we specifically disclaim - any warranty concerning suitability for a specific customer application or use. This Information is intended for use only by customers who have the requisite experience and capability to determine the correct products for their application. Any technical advice inferred from this Information or otherwise provided by us with reference to the use of our products is given gratis, and we assume no obligation or liability for the advice given or results obtained.