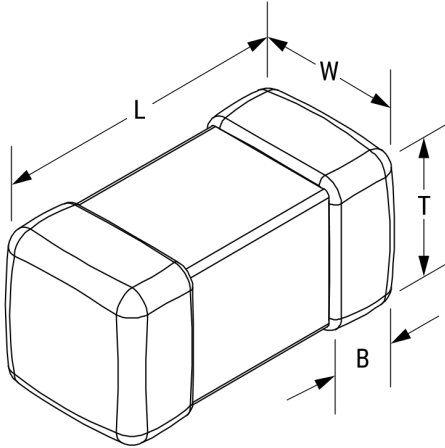


L0603B220KPWFT

Aliases (L0603B220KPWFT)

Obsolete

KEMET, L-PWF, Ferrite, 10%, 22 uH, 0603



Click [here](#) for the 3D model.

General Information

Series	L-PWF
Style	SMD Wire-Wound
Core	Ferrite
Description	Surface Mount Inductor
Features	Bottom Surface Electrode
RoHS	Yes
Notes	Last Order Date June 30, 2023.

Specifications

Inductance	22 uH
Inductance Tolerance	10%
Temperature Range	-40/+105°C
Current	130 mAmps (MAX)
DC Resistance	3.7 Ohms
Self-Resonant Frequency	16 MHz

Dimensions

Chip Size	0603
L	1.6mm +/-0.1mm
W	0.8mm +/-0.1mm
T	0.8mm +/-0.1mm

Packaging Specifications

Packaging	T&R
Packaging Quantity	3000

Statements of suitability for certain applications are based on our knowledge of typical operating conditions for such applications, but are not intended to constitute - and we specifically disclaim - any warranty concerning suitability for a specific customer application or use. This Information is intended for use only by customers who have the requisite experience and capability to determine the correct products for their application. Any technical advice inferred from this Information or otherwise provided by us with reference to the use of our products is given gratis, and we assume no obligation or liability for the advice given or results obtained.