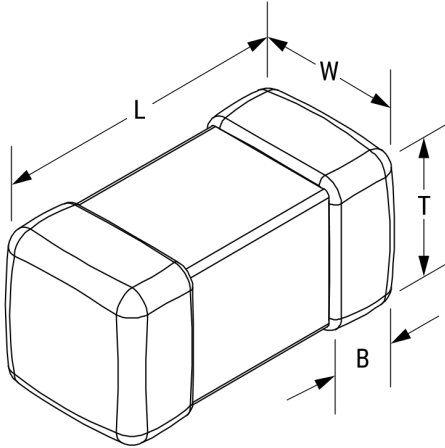


L0603C1R0MDMIT

Aliases (L0603C1R0MDMIT)

Obsolete

KEMET, L-DMI, Ferrite, 20%, 1000 nH



Click [here](#) for the 3D model.

General Information

Series	L-DMI
Style	SMD Multi-Layer
Core	Ferrite
Description	Shielded, Surface Mount Inductor
RoHS	Yes

Specifications

Inductance	1000 nH
Inductance Tolerance	20%
Temperature Range	-40/+85°C
Shielded	true
Current	750 mAmps (MAX)
DC Resistance	0.2 Ohms (Max)

Dimensions

L	1.6mm +/-0.15mm
W	0.8mm +/-0.15mm
T	0.95mm MAX

Packaging Specifications

Packaging	T&R
Packaging Quantity	4000

Statements of suitability for certain applications are based on our knowledge of typical operating conditions for such applications, but are not intended to constitute - and we specifically disclaim - any warranty concerning suitability for a specific customer application or use. This Information is intended for use only by customers who have the requisite experience and capability to determine the correct products for their application. Any technical advice inferred from this Information or otherwise provided by us with reference to the use of our products is given gratis, and we assume no obligation or liability for the advice given or results obtained.