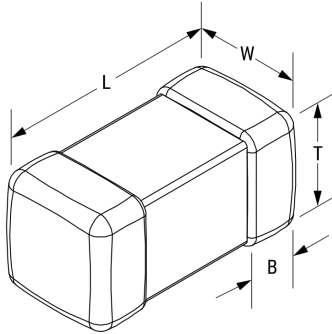


## L0805C1R0MDMIT

Aliases (L0805C1R0MDMIT)

Obsolete

KEMET, L-DMI, Ferrite, 20%, 1000 nH, 0805



Click [here](#) for the 3D model.

### Dimensions

Chip Size	0805
L	2mm +/-0.2mm
W	1.25mm +/-0.2mm
T	1mm MAX

### Packaging Specifications

Packaging	T&R
Packaging Quantity	3000

### General Information

Series	L-DMI
Style	SMD Multi-Layer
Core	Ferrite
Description	Shielded, Surface Mount Inductor
Features	High Current Type For Power Supply Line
RoHS	Yes
Winding Type	Multilayer
Notes	Suggested Replacement - <a href="https://productfinder.pulseelectronics.com/part/BKPB002012101ROMA2">https://productfinder.pulseelectronics.com/part/BKPB002012101ROMA2</a> .

### Specifications

Inductance	1000 nH
Inductance Tolerance	20%
Temperature Range	-40/+85°C
Shielded	Yes
Current	1000 mAmps (MAX)
DC Resistance	0.14 Ohms (Max)