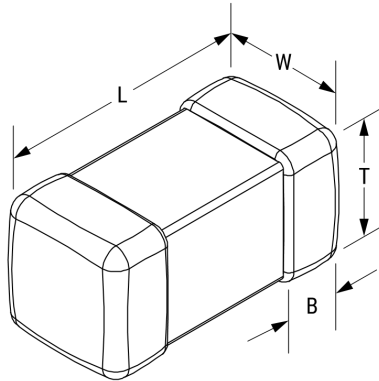


L1008L2R2MDMIT

Aliases (L1008L2R2MDMIT)

Obsolete

KEMET, L-DMI, Ferrite, 20%, 2200 nH, 1008



Click [here](#) for the 3D model.

Dimensions

Chip Size	1008
L	2.5mm +/-0.2mm
W	2mm +/-0.2mm
T	0.8mm MAX

Packaging Specifications

Packaging	T&R
Packaging Quantity	3000

General Information

Series	L-DMI
Style	SMD Multi-Layer
Core	Ferrite
Description	Shielded, Surface Mount Inductor
Features	High Current Type For Power Supply Line
RoHS	Yes
Winding Type	Multilayer
Notes	Suggested Replacement - https://www.chilisin.com/en-global/Inductor/Product/BKPB_252012/BKPB002520122R2MA2 .

Specifications

Inductance	2200 nH
Inductance Tolerance	20%
Temperature Range	-40/+85°C
Shielded	Yes
Current	1200 mAmps (MAX)
DC Resistance	0.1 Ohms (Max)

Statements of suitability for certain applications are based on our knowledge of typical operating conditions for such applications, but are not intended to constitute - and we specifically disclaim - any warranty concerning suitability for a specific customer application or use. This information is intended for use only by customers who have the requisite experience and capability to determine the correct products for their application. Any technical advice inferred from this information or otherwise provided by us with reference to the use of our products is given gratis, and we assume no obligation or liability for the advice given or results obtained.