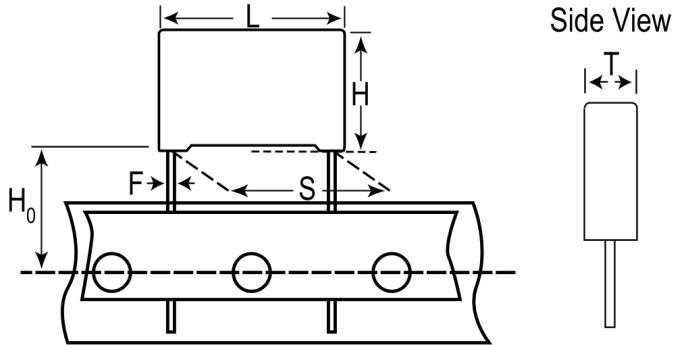


## MMK10155K63A03L16.5TR18

Aliases (F601AK155K063L, MMK10155K63A03L16,5TR18)

Not for New Design • Recommended Replacement Series R60

MMK/F601, Film, Metallized Polyester, General Purpose, 1.5 uF, 10%, 63 VDC, 85°C, 10mm



Click [here](#) for the 3D model.

### Dimensions

L	13mm MAX
H	11mm MAX
T	5mm MAX
S	10mm +0.6/-0.1mm
H <sub>0</sub>	16mm NOM
F	0.6mm NOM

### Packaging Specifications

Packaging	T&R
Packaging Quantity	700

### General Information

Series	MMK/F601
Dielectric	Metallized Polyester
Style	Radial
Features	DC Multipurpose Applications
RoHS	Yes
Lead	Wire Leads
AEC-Q200	No
Typical Component Weight	1.322 g
Notes	Not for new design - the replacement series is: R60.

### Specifications

Capacitance	1.5 uF
Capacitance Tolerance	10%
Voltage AC	40 VAC
Voltage DC	63 VDC, 48.8 VDC (100C)
Temperature Range	-55/+100°C
Rated Temperature	85°C
Dissipation Factor	1% 1kHz
Insulation Resistance	3.3333 GOhms
Max dV/dt	8 V/us
Inductance	6 nH