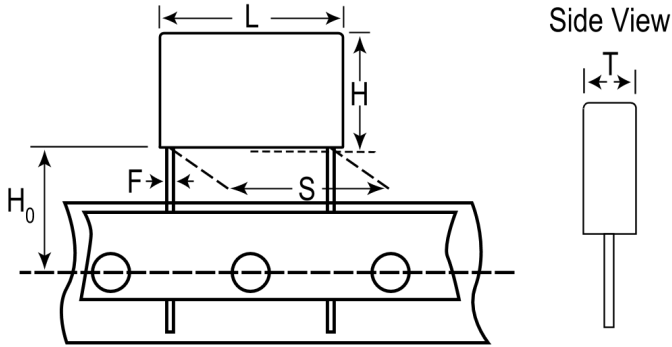


## PME271Y568MR19T1

Aliases (P271CP683M250P)

PME271Y/P271, Film, Metallized Paper, Safety, 0.068 uF, 20%, 1000 VDC, 250 VAC (Y2), 100°C, 20.3mm



Click [here](#) for the 3D model.

### Dimensions

L	24mm MAX
H	16.5mm MAX
T	11.3mm MAX
S	20.3mm +/-0.4mm
H0	18.5mm +/-0.5mm
F	0.8mm +/-0.05mm

### Packaging Specifications

Packaging	T&R, Large
Packaging Quantity	400

### General Information

Series	PME271Y/P271
Dielectric	Metallized Paper
Style	Radial
Features	EMI Safety
RoHS	Yes
Termination	Tinned Wire
Lead	Wire Leads
Safety Class	Y2
Qualifications	ENEC, UL, cUL, CQC
AEC-Q200	No
Construction	Molded
Typical Component Weight	7 g
Miscellaneous	SRF= 4.6 MHz.

### Specifications

Capacitance	0.068 uF
Capacitance Tolerance	20%
Voltage DC	1000 VDC
Voltage AC	250 VAC (Y2)
Temperature Range	-40/+100°C
Rated Temperature	100°C
Dissipation Factor	1.3% 1kHz
Insulation Resistance	12 GOhms
Max dV/dt	600 V/us