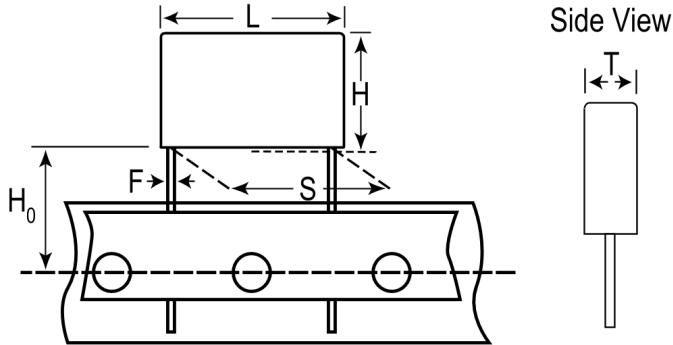


PME271Y410MR19T0

Aliases (P271HE102M250L)

PME271Y/P271, Film, Metallized Paper, Safety, 1000 pF, 20%, 1000 VDC, 250 VAC (Y2), 100°C, 10.2mm



Click [here](#) for the 3D model.

Dimensions

L	13.5mm MAX
H	7.5mm MAX
T	3.9mm MAX
S	10.2mm +/-0.4mm
H0	18.5mm +/-0.5mm
F	0.6mm +/-0.05mm

Packaging Specifications

Packaging	T&R
Packaging Quantity	700

General Information

Series	PME271Y/P271
Dielectric	Metallized Paper
Style	Radial
Features	EMI Safety
RoHS	Yes
Termination	Tinned Wire
Lead	Wire Leads
Safety Class	Y2
Qualifications	ENEC, UL, cUL, CQC
AEC-Q200	No
Construction	Molded
Typical Component Weight	0.63 g
Miscellaneous	SRF= 53 MHz.

Specifications

Capacitance	1000 pF
Capacitance Tolerance	20%
Voltage DC	1000 VDC
Voltage AC	250 VAC (Y2)
Temperature Range	-40/+100°C
Rated Temperature	100°C
Dissipation Factor	1.3% 1kHz
Insulation Resistance	12 GOhms
Max dV/dt	2000 V/us

Statements of suitability for certain applications are based on our knowledge of typical operating conditions for such applications, but are not intended to constitute - and we specifically disclaim - any warranty concerning suitability for a specific customer application or use. This information is intended for use only by customers who have the requisite experience and capability to determine the correct products for their application. Any technical advice inferred from this information or otherwise provided by us with reference to the use of our products is given gratis, and we assume no obligation or liability for the advice given or results obtained.