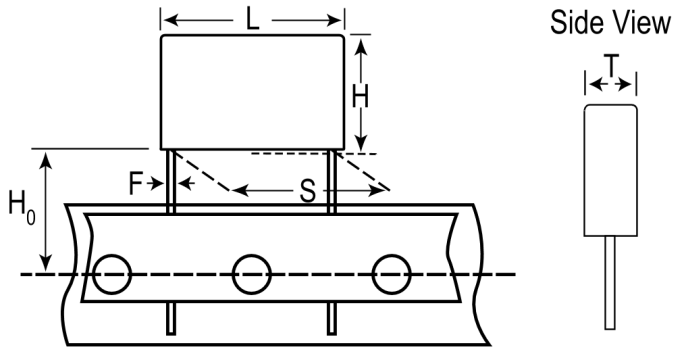


## PME271M615KR19T0

Aliases (P276CJ154K275L)

PME271M/P276, Film, Metallized Paper, Safety, 0.15 uF, 10%, 630 VDC, 275 VAC (X2), 110°C, 20.3mm



Click [here](#) for the 3D model.

### Dimensions

L	24mm MAX
H	15mm MAX
T	9mm MAX
S	20.3mm +/-0.4mm
H0	18.5mm +/-0.5mm
F	0.8mm NOM

### Packaging Specifications

Packaging	T&R
Packaging Quantity	250

### General Information

Series	PME271M/P276
Dielectric	Metallized Paper
Style	Radial
Features	EMI Safety
RoHS	Yes
Termination	Tinned Wire
Lead	Wire Leads
Safety Class	X2
Qualifications	ENEC, UL, cUL
AEC-Q200	No
Construction	Molded
Typical Component Weight	4.5 g
Miscellaneous	SRF= 3.4 MHz.

### Specifications

Capacitance	0.15 uF
Capacitance Tolerance	10%
Voltage DC	630 VDC
Voltage AC	275 VAC (X2)
Temperature Range	-40/+110°C
Rated Temperature	110°C
Dissipation Factor	1.3% 1kHz
Insulation Resistance	12 GOhms
Max dV/dt	600 V/us