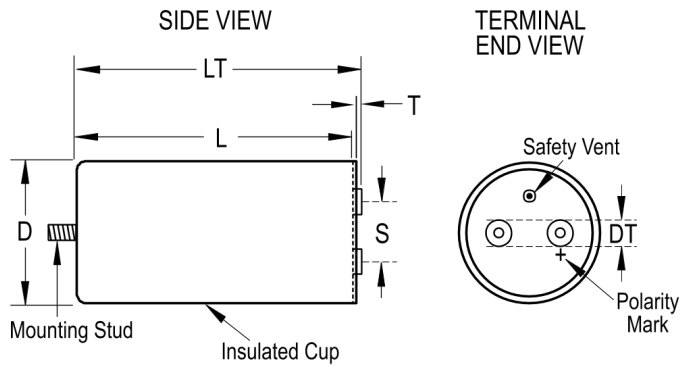


PEH169PA4100QB2

Aliases (A472GC102Q100A)

PEH169_105, Aluminum Electrolytic, 1,000 uF, -10/+30%, 100 VDC, -40/+105°C



General Information	
Series	PEH169_105
Dielectric	Aluminum Electrolytic
Description	Screw Terminal, Aluminum Electrolytic
RoHS	Yes
■	Through-Hole
Optional Mounting	Stud
AEC-Q200	No
Halogen Free	Yes
Typical Component Weight	70 g
Notes	Dimensions D And L Include Sleevings. M5. MS = M8x12.

Click [here](#) for the 3D model.

Specifications	
Capacitance	1,000 uF
Capacitance Tolerance	-10/+30%
Voltage DC	100 VDC
Temperature Range	-40/+105°C
Rated Temperature	105°C
Life	7000 Hrs (Rated Voltage And Ripple Current At 105C)
ESR	110 mOhms (100Hz 20C), 67 mOhms (100kHz 20C)
Ripple Current	2.9 Amps (100Hz 105C), 17.4 Amps (10kHz 50C), 11.7 Amps (10kHz 40C)
Leakage Current	4300 uA (5min 20°C)
Inductance	12 nH (ESL)

Dimensions	
D	36.6mm +/-1mm
L	51.5mm +/-1mm
T	4.4mm NOM
S	13mm +/-0.5mm
F	8mm +/-0.5mm
DT	8mm NOM
LT	58.9mm +/-1mm

Packaging Specifications	
Sleevings	Yes
Packaging	Bulk, Bag

Statements of suitability for certain applications are based on our knowledge of typical operating conditions for such applications, but are not intended to constitute - and we specifically disclaim - any warranty concerning suitability for a specific customer application or use. This information is intended for use only by customers who have the requisite experience and capability to determine the correct products for their application. Any technical advice inferred from this information or otherwise provided by us with reference to the use of our products is given gratis, and we assume no obligation or liability for the advice given or results obtained.