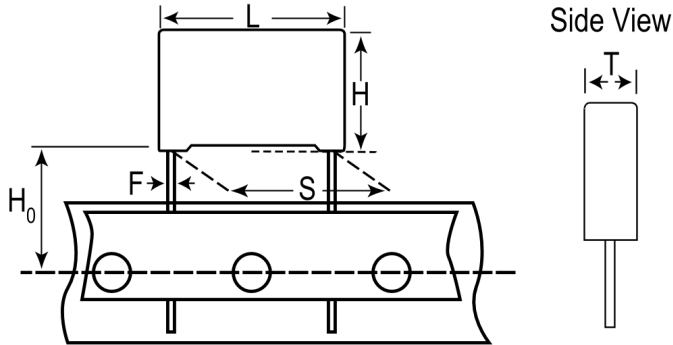


R463I3150CKM2K

Aliases (463I3150CKM2K)

R46 310 VAC, Film, Metallized Polypropylene, Safety, 0.15 uF, 10%, 630 VDC, 310 VAC (X2), 110°C, 15mm



Click [here](#) for the 3D model.

Dimensions

L	18mm +0.3/-0.5mm
H	12mm +0.1/-0.5mm
T	6mm +0.2/-0.5mm
S	15mm +0.6/-0.1mm
H ₀	18.5mm +/-0.5mm
F	0.6mm +/-0.05mm

Packaging Specifications

Packaging	T&R, Large
Packaging Quantity	1000

General Information

Series	R46 310 VAC
Dielectric	Metallized Polypropylene
Style	Radial
Features	EMI Safety
RoHS	Yes
Termination	Tinned Wire
Lead	Wire Leads
Safety Class	X2
Qualifications	ENEC, UL, cUL, CQC
AEC-Q200	No
Typical Component Weight	2.162 g

Specifications

Capacitance	0.15 uF
Capacitance Tolerance	10%
Voltage DC	630 VDC
Voltage AC	310 VAC (X2)
Temperature Range	-40/+110°C
Rated Temperature	110°C
Dissipation Factor	0.1% 1kHz
Insulation Resistance	100 GOhms
Max dV/dt	400 V/us