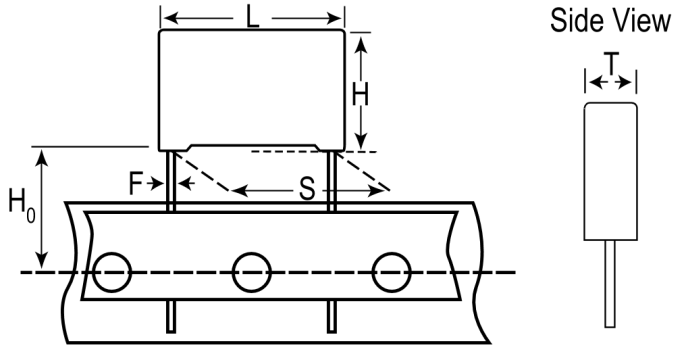


R463N3680CKH1M

Aliases (463N3680CKH1M)

R46 310 VAC 125C, Film, Metallized Polypropylene, Safety, 0.68 uF, 20%, 310 VAC (X2), 630 VDC, 125°C, 22.5mm



General Information

Series	R46 310 VAC 125C
Dielectric	Metallized Polypropylene
Style	Radial
Features	EMI Safety
RoHS	Yes
Lead	Wire Leads
Safety Class	X2
Qualifications	ENEC, UL, cUL, CQC
AEC-Q200	No
THB Performance	No
Typical Component Weight	6.3 g

Specifications

Capacitance	0.68 uF
Capacitance Tolerance	20%
Voltage AC	310 VAC (X2)
Voltage DC	630 VDC
Temperature Range	-40/+125°C
Rated Temperature	125°C
Dissipation Factor	0.2% 1kHz
Insulation Resistance	44.1176 GOhms
Max dV/dt	200 V/us

Click [here](#) for the 3D model.

Dimensions

L	26.5mm +0.3/-0.5mm
H	20mm +0.1/-0.5mm
T	11mm +0.2/-0.5mm
S	22.5mm +/-0.4mm
H0	18.5mm +/-0.5mm
F	0.8mm +/-0.05mm

Packaging Specifications

Packaging	T&R, Large
Packaging Quantity	350