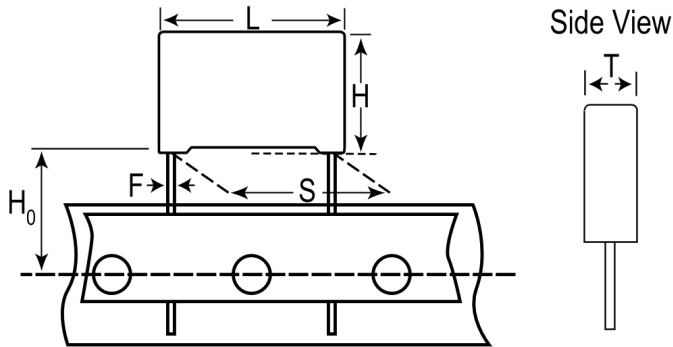


R46KI3100DQM1M

Aliases (46KI3100DQM1M)

R46 275 VAC, Film, Metallized Polypropylene, Safety, 0.1 uF, 20%, 275 VAC (X2), 560 VDC, 110°C, 15mm



Click [here](#) for the 3D model.

Dimensions

| | |
|----------------|------------------|
| L | 18mm +0.3/-0.5mm |
| H | 11mm +0.1/-0.5mm |
| T | 5mm +0.2/-0.5mm |
| S | 15mm +0.6/-0.1mm |
| H ₀ | 18.5mm +/-0.5mm |
| F | 0.6mm +/-0.05mm |

Packaging Specifications

| | |
|--------------------|-------------------------|
| Packaging | Ammo, 360x340x59mm, Box |
| Packaging Quantity | 800 |

General Information

| | |
|--------------------------|--------------------------------------|
| Series | R46 275 VAC |
| Dielectric | Metallized Polypropylene |
| Style | Radial |
| Features | EMI Safety |
| RoHS | Yes |
| Lead | Wire Leads |
| Safety Class | X2 |
| Qualifications | ENEC, UL, cUL, CQC |
| AEC-Q200 | No |
| THB Performance | No |
| Typical Component Weight | 1.598 g |
| Notes | We Recommended To Use R46 @ 310 VAC. |

Specifications

| | |
|-----------------------|--------------|
| Capacitance | 0.1 uF |
| Capacitance Tolerance | 20% |
| Voltage AC | 275 VAC (X2) |
| Voltage DC | 560 VDC |
| Temperature Range | -40/+110°C |
| Rated Temperature | 110°C |
| Dissipation Factor | 0.1% 1kHz |
| Insulation Resistance | 100 GOHms |
| Max dV/dt | 400 V/us |