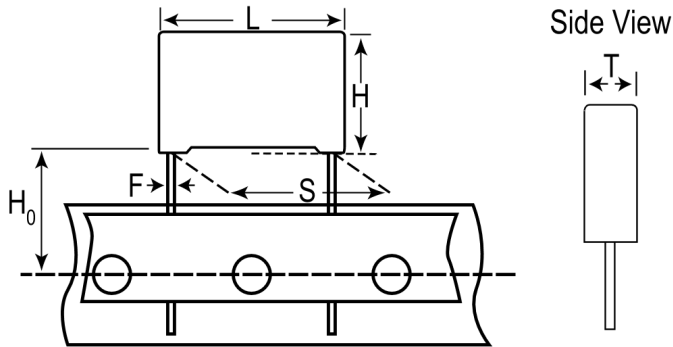


R60MF2150DQ30J

Aliases (60MF2150DQ30J)

Obsolete

R60, Film, Metallized Polyester, Automotive Grade, 0.015 uF, 5%, 400 VDC, 85°C, 10mm



Click [here](#) for the 3D model.

Dimensions

| | |
|----|-----------------|
| L | 13mm +0.2mm |
| H | 9mm +0.1mm |
| T | 4mm +0.2mm |
| S | 10mm +/-0.4mm |
| H0 | 18.5mm +/-0.5mm |
| F | 0.6mm +/-0.05mm |

Packaging Specifications

| | |
|--------------------|-------------------------|
| Packaging | Ammo, 360x340x59mm, Box |
| Packaging Quantity | 1000 |

General Information

| | |
|----------------|---|
| Series | R60 |
| Dielectric | Metallized Polyester |
| Style | Radial |
| Features | Automotive Grade, Pulse |
| RoHS | Yes |
| Lead | Wire Leads |
| Qualifications | AEC-Q200 |
| AEC-Q200 | Yes |
| Miscellaneous | Upper Operating Temperature Of 125C Is Allowed For A Maximum Operating Time Of 1,000 Hours. Above 85C, DC And AC Voltage Derating Is 1.25%/C. |

Specifications

| | |
|-----------------------|---------------------|
| Capacitance | 0.015 uF |
| Capacitance Tolerance | 5% |
| Voltage DC | 400 VDC |
| Voltage AC | 200 VAC |
| Temperature Range | -55/+105°C |
| Rated Temperature | 85°C |
| Dissipation Factor | 1% 1kHz, 1.5% 10kHz |
| Insulation Resistance | 30 GOhms |
| Max dV/dt | 30 V/us |
| Inductance | 9 nH |